

# POWERLINE

## MODEL 5170 By Daisy

### CO2 SEMI-AUTOMATIC



**WARNING:** NOT A TOY. ADULT SUPERVISION REQUIRED. MISUSE OR CARELESS USE MAY CAUSE SERIOUS INJURY OR DEATH. MAY BE DANGEROUS UP TO 254 YARDS (232 METERS).

THIS IS A HIGH POWER AIR GUN RECOMMENDED FOR USE BY THOSE 16 YEARS OF AGE OR OLDER. READ ALL INSTRUCTIONS BEFORE USING. THE PURCHASER AND USER SHOULD CONFORM TO ALL LAWS GOVERNING USE AND OWNERSHIP OF AIR GUNS.

**WARNING:** THIS GUN CAN CAUSE DEATH IF CARELESSLY USED OR MISUSED. READ AND FOLLOW THE INSTRUCTIONS CAREFULLY. DO NOT LOAD ANY BBS INTO THE GUN UNTIL YOU ARE READY TO SHOOT. IF YOU DO LOAD BBS INTO THE GUN AND THEN DECIDE NOT TO SHOOT, EITHER MANUALLY REMOVE THE BBS FROM THE GUN OR SHOOT THE REMAINING BBS AT A SAFE TARGET. AN UNLOADED, NON-PRESSURIZED GUN WHICH IS "ON" SAFETY IS SAFEST. ACCIDENTS HAPPEN FAST AND ACCIDENTALLY INJURING OR KILLING SOMEONE IS A TERRIBLE THING. PLEASE SHOOT SAFELY.

This safety alert symbol indicates important safety messages in this manual. When you see this symbol, be alert to the possibility of personal injury and carefully read the message that follows.

The Model 5170 CO2 PowerLine pistol shoots with much more muzzle energy than most BB and pellet guns. Use extreme caution when operating this gun.

Although your new PowerLine pistol is not a firearm, it has lethal potential and should be treated with the caution and respect due any conventional firearm. Like a firearm, your PowerLine pistol, when misused or carelessly used, can kill or seriously injure the shooter or other persons. Always remember, the first and most important safety feature of any gun is the user's responsibility to use the gun safely and responsibly. This manual is the only part of the system that

#### HOW TO OPERATE

**WARNING:** Be sure gun is always pointed in a safe direction. Never point the gun at anyone. Always assume and treat the gun as if it were loaded and ready to fire.

**STEP 1. PUT "ON" SAFETY - POSITION SAFETY SO NO RED IS SHOWING.**  
Rotate the safety toward the "S" - SAFE position - NO RED SHOWING (Fig. 2A). In this position, the trigger will not fire the gun.

**CAUTION:** Even when the safety is "ON" you should continue to handle the pistol safely. Don't point the gun at anything that you don't intend to shoot.

**NOTE:** The safety is manual and not automatic. It will only do its job when you do yours. With the index finger out of the trigger area, rotate the safety to the "S" - SAFE position - NO RED SHOWING (Fig. 2A). **REMEMBER, THE BEST SAFETY IS GOOD GUN HANDLING.**

#### STEP 2. INSERT CO2 CYLINDER

A. Put "ON" safety - NO RED SHOWING.  
B. Remove the clip by pushing the clip release button (Fig. 3).

C. Remove left grip cover by lifting the grip cover tab (Fig. 4).  
D. Turn puncture screw counterclockwise until there is enough room to insert a CO2 cylinder. Insert the large end of the CO2 cylinder into the lower portion of the grip. Hold the gun in an inverted position with the grip pointing up and the muzzle pointing away from you as shown (Fig. 5). Position the small end of the CO2 cylinder inside the retainer so that

the CO2 cylinder touches the puncture pin (Fig. 5).  
E. While continuing to hold gun in an inverted position, replace the left grip cover, point the muzzle in a safe direction and turn the puncture screw clockwise to puncture the CO2 cylinder (Fig. 6). Continue turning the screw RAPIDLY until finger tight. **NOTE:** A slight seepage of CO2 gas may occur until puncture screw is tight.

**WARNING:** Be sure the muzzle is pointed in a safe direction when puncturing a CO2 cylinder. In the event that a seal temporarily leaks while a CO2 cylinder is being punctured, the CO2 gas may escape through the barrel. If ammunition is jammed in the barrel from prior shooting, this could result in a projectile being shot.

**WARNING:** Use only 12 gram CO2 cylinders. Any attempt to use other types of gas cylinders could be extremely dangerous and could result in serious injury. Gases other than CO2 could result in an explosion or rupture of the gun.

#### STEP 3. FILL THE REMOVABLE CLIP WITH A MAXIMUM OF 21 BBS

A. Always point gun in a safe direction. Insure that the gun is "ON" safe - NO RED SHOWING (see Operation Step 1).

B. Move the clip BB follower fully downward to engage the notch as shown (Fig. 7-1).  
**NOTE:** Make sure the follower is held fully by the notch before loading BBS. You can insure the follower doesn't accidentally come out of the notch by holding it while loading BBS.

C. Once the BB follower is held securely in the notch, a maximum of 21 .177 caliber BBS can be individually inserted into the Clip Loading Port as shown (Fig. 7-2).

**CAUTION:** Use only Precision Max™ BBS by Daisy®, or similar quality BBS that are labeled as such. Do not use lead pellets, duck shot, darts, ball bearings, or other foreign objects because they can cause injury to someone or may damage and/or jam the pistol.

D. After the clip has been loaded with a maximum of 21 BBS, slowly release the BB follower and allow it to rest up against the BBS allowing the BBS to be under spring tension (Fig. 7-3).

E. Insert the loaded clip securely into the pistol.

**WARNING:** Once the clip is loaded with BBS it is considered to be loaded, so use extreme caution in handling the gun. Keep the gun pointed in a safe direction. Never point the gun at anyone.

#### STEP 4. AIM AT A SAFE TARGET

To be a consistent marksman, use the correct sight picture each time you fire the pistol (Fig. 8). **CAUTION:** Due to the power of this PowerLine CO2 pistol, use extra precaution in selecting a safe target. Improper targets may cause ricochet.

#### STEP 5. TAKE "OFF" SAFETY - RED SHOWING.

When you are certain the target, back-stop and surrounding area is safe, rotate the safety "OFF" - toward the "F" - Fire position - RED SHOWING (Fig. 2B). Pulling the trigger now will fire the gun.

#### STEP 6. FIRE

Make sure the gun is pointed at a safe target. Once the last BB has been shot from the gun, it is still possible for the trigger to be pulled, but only CO2 will be discharged.

#### STEP 7. PUT "ON" SAFETY - NO RED SHOWING.

After firing, return the safety to the "ON" position - NO RED SHOWING (Fig. 2A).

#### BB DOES NOT FIRE

**WARNING:** If a BB does not fire after completing the operation steps, do not assume that the gun is unloaded. Keep the gun pointed in a safe direction.

#### MAKE THE FOLLOWING CHECKS IF A BB DOES NOT FIRE

A. Put the Removable Clip contain 177 Cal. Daisy® Precision Max™ or similar quality

other persons. Always remember, the first and most important safety feature of any gun is the shooter. All safeties are mechanical devices and the shooter is the only part of the system that can make a gun safe—or unsafe. DON'T DEPEND ON MECHANICAL SAFETIES—think ahead and avoid situations that might lead to accidents.

Guns differ in their operation, and you are never ready to fire any gun until you are thoroughly familiar with it. Read the following operating instructions and WITHOUT LOADING ANY AMMUNITION, proceed through the operating steps, dry firing your gun with CO2 only several times at a safe target. This will enable you to learn to operate this PowerLine Pistol properly and safely.

**▲ OPERATION STEPS:**  
Put "ON" SAFE – NO RED SHOWING (refer to Operation Step 1)

**WARNING:** Be sure gun is always pointed in a safe direction. Never point the gun at anyone. Always assume and treat the gun as if it were loaded and ready to fire.

Gun may continue to be fired (Steps 5 and 6) until the built-in BB magazine is empty. Steps 1, 3, 4, 5, 6, and 7 should be followed. If the CO2 cylinder is empty, then all 7 Steps should be followed. (Approximately 50 shots can be expected per CO2 cylinder).

- Step 1. Put "ON" safety - No red showing.
- Step 2. Insert CO2 Cylinder.
- Step 3. Fill removable clip with a maximum of 21 BBS and insert into pistol.
- Step 4. Aim at a safe target.
- Step 5. Take "OFF" safety - Red showing.
- Step 6. Fire.
- Step 7. Put "ON" safety - No red showing.

**NEVER STORE A LOADED GUN**

After shooting is complete, as a safety precaution, always put "ON" safety - NO RED SHOWING, remove CO2 cylinder and remove BBS from the Clip. Store in a safe place to prevent unauthorized use.

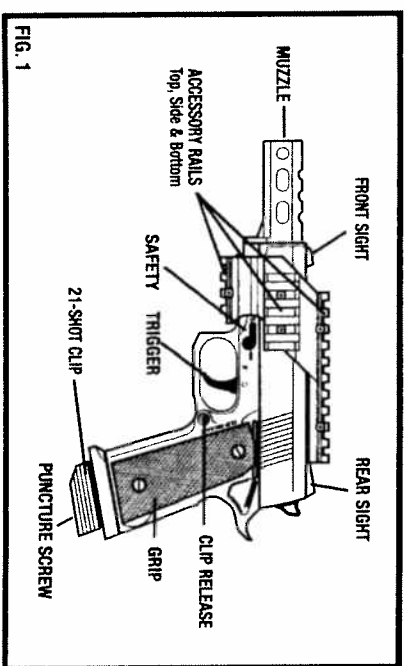


FIG. 1

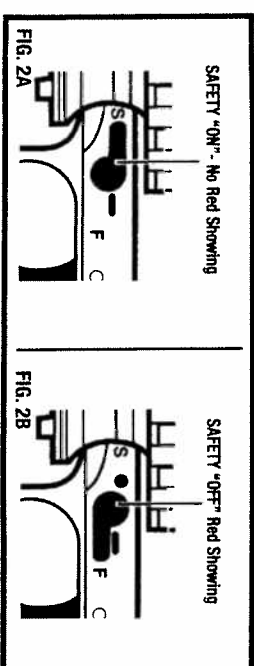


FIG. 2A

FIG. 2B

**MAKE THE FOLLOWING CHECKS IF A BB DOES NOT FIRE**

- A. Did the Removable Clip contain 177 cal. Daisy® Precision Max™ or similar quality BBS? If not, fill the Removable Clip with BBS and repeat the operation steps.
- B. Was the safety "OFF" - RED SHOWING when the trigger was pulled? If not, repeat the operation steps.
- C. Was a CO2 cylinder installed? If not, put "ON" safe - NO RED SHOWING, and insert a new CO2 cylinder. Repeat the operation steps after the new cylinder is installed.
- D. Refer to the section on CO2 characteristics.
- E. If the pistol still does not fire, refer to warning below.

**▲ WARNING:** If the pistol still fails to shoot a BB after checking the five items above, there is a malfunction in the pistol. This could represent a dangerous condition. There could be BBS in the pistol even though a BB did not shoot out. Always treat the gun as if it were loaded. At no time should you look down the barrel of the gun. Put "ON" safe - NO RED SHOWING, remove the CO2 cylinder, and send the pistol directly to DAISS OUTDOOR PRODUCTS SERVICE DEPARTMENT. Refer to section on REPAIRS OF DAISS GUNS.

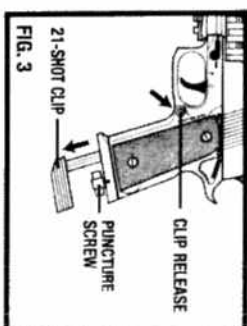


FIG. 3

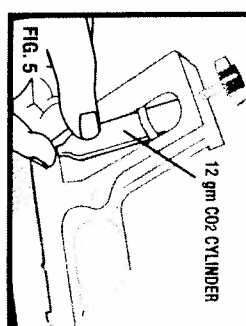


FIG. 5

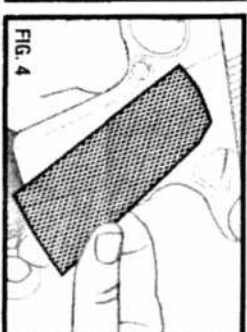


FIG. 4

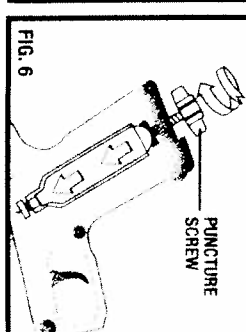


FIG. 6

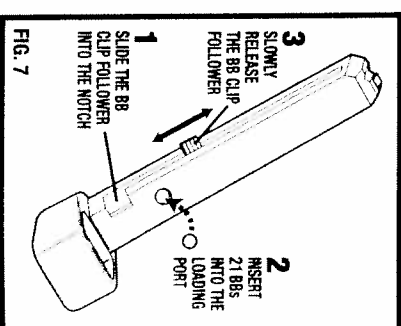


FIG. 7

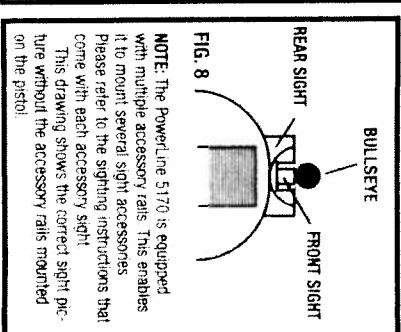


FIG. 8

**NOTE:** The PowerLine 5170 is equipped with multiple accessory rails. This enables it to mount several sight accessories. Please refer to the sighting instructions that come with each accessory sight. This drawing shows the correct sight picture without the accessory rails mounted on the pistol.