



HATSAN
ARMS COMPANY

Serious. Solid. Impact.



AT-P SERIES

PCP AIR PISTOL

INSTRUCTION MANUAL

PLEASE READ THIS MANUAL BEFORE USING YOUR AIR GUN

Thank you for choosing HATSAN AT-P PCP air pistol.

Always use caution when operating this pistol. Learn and obey the laws of your state and/or country, and be responsible in your use of this air pistol. Please read this manual completely before handling or shooting your air gun. It's the sole responsibility of the user to use this air gun properly and safely.

Your air pistol contains many features which gives greater handling, greater accuracy and enjoyment:

- 10- shot, manual loading, side lever action, pre-charged pneumatic (PCP) air pistol.
- Precision rifled choked barrel for accuracy, threaded for ½" UNF sound moderator & fitted muzzle cap.
- Available in .177 (4.5mm), .22 (5.5mm) and .25 (6.35mm) caliber.
- Ergonomic design synthetic grip.
- Detachable 10-shot rotary magazine in .177 (4.5mm) and .22 (5.5mm) calibers and 9-shot rotary magazine in 25 (6.35mm) caliber.
- Includes one additional magazine
- Detachable aluminum air cylinder tube (50cc). Spare cylinders are available.
- Built-in pressure gauge on the air cylinder to monitor the cylinder pressure.
- Includes quick-fill nozzle & air cylinder discharging cap supplied in the box.
- Dovetail grooved receiver for both 11mm and 22mm scope mounts.
- Overall blued finish, black anodized receiver.
- Resettable Manual & Automatic Safety
- "Anti-double pellet feed" mechanism preventing more than one pellet loading into barrel.
- Patented anti-knock system to prevent gas wastage when pistol is knocked or bounced.
- Adjustable rear & front sight with Truglo fiber optics.
- Quattro Trigger: 2-stage fully adjustable match trigger for trigger travel and trigger load.
- Gold plated metal trigger
- Includes plastic case.

Warning!

- 1. Each HATSAN AT-P1 air pistol contains pressurized air and should only be dismantled by a competent gunsmith. Do not attempt to dismantle the pistol if the pistol is partially or fully charged, except for removal and replacement of the air cylinder. Serious injury and/or damage may result if this instruction is ignored. Never shoot the pistol when the air cylinder is removed or empty. This may damage your pistol. Never attempt to dismantle the air cylinder parts or air gauge when the air cylinder is fully or partially charged. Serious injury and/or damage may result if this instruction is ignored.**
- 2. Don't use BB pellets with your pistol and use only factory manufactured waisted high quality pellets.**
- 3. HATSAN AT-P1 air pistol is designed specifically for use with DRY COMPRESSED AIR. NO OTHER GAS OR GAS COMBINATION MUST BE USED. The pistol may be filled from a diver's bottle, a suitable compressor or by using a hand pump specifically made to fill pre-charged air guns. MAXIMUM SAFE WORKING PRESSURE (SWP) : 200 BAR. RECOMMENDED FILL PRESSURE : 190 BAR**

GENERAL INSTRUCTIONS

Before using your new air pistol check if it is fully charged and abide the below basic safety rules:

Basic Safety Rules:

1. Treat every pistol as if it is loaded.
2. Never point the pistol at anyone, or allow anyone to point a pistol at you, even if you know it is not loaded.
3. Always carry the pistol so that the direction of the muzzle is under control, even if you stumble.
4. Always be sure of your target and what lies behind it before firing your pistol.
5. Never leave a loaded pistol unattended.
6. Beware of targets that tend to cause ricochets.
7. It is recommended that eye & ear protection is worn when charging the cylinder and when shooting.

Section I. SPECIFICATIONS

Model	Caliber	Max. Muzzle Velocity (*)	Energy (*)		Magazine Capacity	Air Tube Volume	Fill Pressure	Shots per fill	Stock	Overall Length	Barrel Length	Weight	Fiber Optic Sights Diameters	
			Joules	ft.lbs									Rear Sight	Front Sight
AT-P1	4.5mm / .177cal	245m/s (810fps)	17	12.6	10	50cc	200 BAR	35	Advanced polymer	415mm (16.3")	265mm (10.4")	2.05kg (4.5lbs)	0.9mm (.035") green	1.5mm (.060") red
	5.5mm / .22cal	230m/s (750fps)	24.8	18.3	10	50cc	200 BAR	35						
	6.35mm / .25cal	205m/s (680fps)	28	20.6	9	50cc	200 BAR	35						

* The above velocity rates may differ depending on the pellet weight & shape.

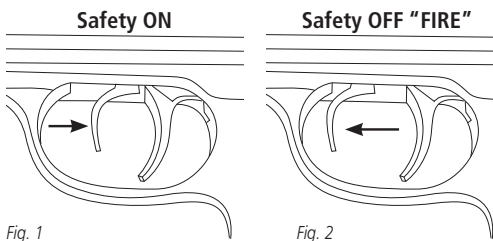
* The above velocity rates reflect the product's maximum velocity. Velocity rates are determined by the laws of the importing country. If there are muzzle energy/velocity restrictions in your country, then this product was produced in compliance with these related muzzle energy / velocity laws - resulting in a lower muzzle velocity.

Section II. BASIC PARTS OF YOUR GUN



- | | | |
|------------------|--------------------------|-----------------------|
| 1. Grip | 6. Cocking Handle | 11. Barrel |
| 2. Trigger | 7. Receiver | 12. Air Cylinder Tube |
| 3. Trigger Guard | 8. 10-Shot Magazine | 13. Front Sight |
| 4. Safety Button | 9. Magazine Release Bolt | 14. Muzzle Cap |
| 5. Scope Rail | 10. Rear Sight | 15. Muzzle |

Section III. MANUAL SAFETY



Safety button can be set to "ON" and "OFF" position manually.

To set the safety to "ON", pull safety button. In this position, the trigger cannot be pulled and the airgun cannot be shot (Fig. 1).

To remove the safety to "OFF", push safety button. In this position, the airgun is ready to shoot (Fig. 2).

CAUTION: Until you are actually ready to shoot, keep the safety button in the "ON" position (Fig. 1).

Section IV. AUTOMATIC SAFETY

This air pistol is equipped with automatic safety. Automatic safety sets the safety to "ON" automatically during cocking of the air pistol by means of the cocking handle. Automatic safety prevents accidental pull of the trigger when the air pistol is cocked, so preventing undesirable charges which may cause damage and/or injury.

Section V. QUATTRO TRIGGER

Your air pistol is equipped with Quattro trigger (Fig. 3), you can adjust "trigger travel" & "trigger pull" as follows:

BOLT#1 is for trigger pull force adjustment.

For less trigger pull force prior to discharge, rotate BOLT #1 clockwise; and vice versa.

BOLT#2 is for trigger travel adjustment.

For less trigger travel prior to discharge, rotate BOLT #2 clockwise; and vice versa.

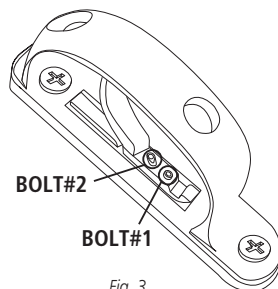


Fig. 3

Section VI. MICRO ADJUSTABLE REAR-SIGHT & ADJUSTABLE FRONT SIGHT

Your air pistol come with fiber optic rear & front sight fitted-except on models with fixed noise-dampener whereas you should fit a scope or other alternate optic sights. The rear-sight is a sensitive device and can be adjusted both for elevation and windage.

Windage adjustment

- If the shot is deflected to the left of the target, turn the KNOB1 clockwise. (Fig. 4)
- If the shot is deflected to the right of the target, turn the KNOB1 counter-clockwise. (Fig. 4)

Elevation adjustment

- If the shot is too high, turn KNOB2 clockwise. (Fig. 4)
- If the shot is too low, turn KNOB2 screw counter-clockwise. (Fig. 4)

Further elevation adjustment is possible by means of the adjustable front sight.

- If the shot is too high, turn KNOB3 clockwise. (Fig. 5)
- If the shot is too low, turn KNOB3 counter-clockwise. (Fig. 5)

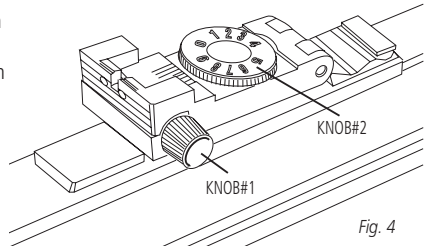


Fig. 4

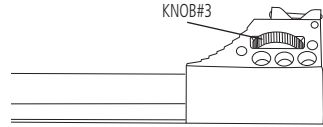


Fig. 5

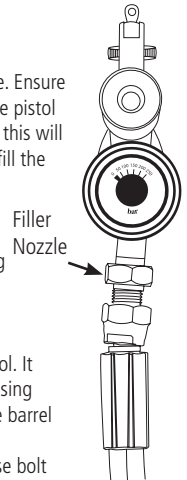
Section VI. OPERATING INSTRUCTIONS

Charging the Pistol:

Fit the filler nozzle to the air-line of the charging equipment, which must incorporate a pressure gauge. Ensure both filler nozzle and pistol filler hole are clear from dirt and push the nozzle into the filler hole. Fill the pistol to the cylinder pressure quoted previously in this manual. Do not exceed the maximum fill pressure as this will reduce the velocity of the pistol and may damage pistol components. When using the divers bottle, refill the pistol slowly to prevent the heat created by the filling operation damaging the pistols components.

*Undo the bleeder valve on the hose before disconnecting the fill nozzle from the pistol.

You can assemble spare air cylinder to your pistol. In order to do that, first remove the air cylinder mounted on the pistol by turning it counter-clockwise. Then assemble the spare air cylinder by aligning and rotating it clockwise.



Loading the pistol & shooting:

1. The magazine incorporates a raised boss on its rear face and can only be fitted one way to the pistol. It rotates clockwise when viewed from the rear of the pistol. The groove on the side of the barrel housing allows you to observe whether the next magazine chamber about to rotate into alignment with the barrel is loaded with a pellet or empty.
2. To remove the magazine, pull the cocking lever until it locks and push forward the magazine release bolt and lock it upwards. Then remove the magazine by pulling it to the right. (Fig. 6, Fig 7, Fig. 8)

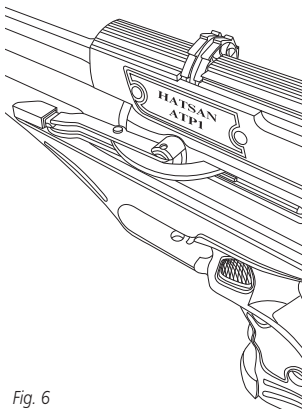


Fig. 6

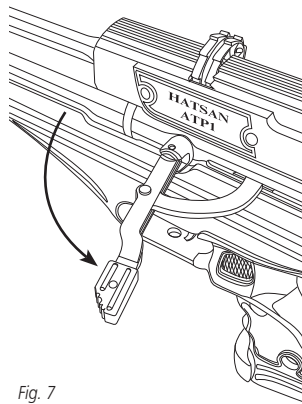


Fig. 7

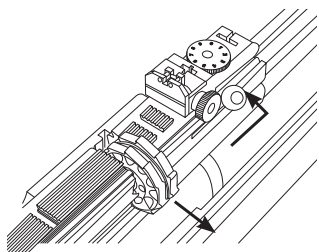


Fig. 8

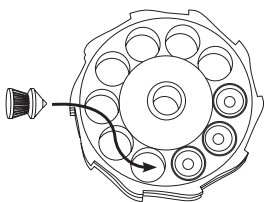


Fig. 9

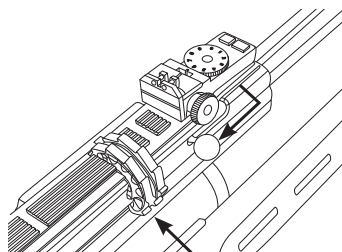


Fig. 10

THIS OPERATION COCKS THE TRIGGER MECHANISM/HAMMER ASSEMBLY. IF THE SAFETY IS SET TO OFF POSITION AND THE TRIGGER IS PULLED, THE Pistol WILL DISCHARGE.

3. Load pellets through the rear of the magazine. (Fig.9). Push the pellet noses through the retaining O-ring until their skirts lie flush or below the bottom of the magazine face.
 4. Place the loaded magazine in its place and unlock magazine release bolt by pulling it downwards so it locks back to its place under spring load. (Fig.10). If necessary rotate the magazine counter-clockwise until its movement is arrested by the magazine stop.
 5. Close cocking lever.
- DO NOT CLOSE THE COCKING LEVER UNTIL YOU ARE READY TO SHOOT. ENSURE THE COCKING LEVER IS FULLY CLOSED BEFORE FIRING THE Pistol AS ITS PERFORMANCE WILL BE AFFECTED IF NOT FULLY CLOSE.**
6. Sight-in either with sights or other optic sights; disengage safety and get ready for shooting.
 7. Pull the trigger gently and the pistol will shoot.
 8. To reload pistol, pull the cocking lever fully and close so the next pellet is indexed with the barrel. Then repeat above items 6 & 7.

Section VII. MAINTENANCE

Warning!

Never attempt to disassemble this pistol when it is charged, except for removal and replacement of the air cylinder. Never fire the pistol when the air cylinder is removed or empty. Failure to obey this instruction could result in damage to your pistol.

Never lubricate inside the barrel as this will affect the accuracy & grouping of the pistol in negative manner. Occasionally apply proper mineral based oils sparingly to the following parts:

- The trigger mechanism
- The pellet probe
- The cocking lever sliding surface
- The stern of the magazine pin and the magazine release.
- The magazine axis hole and the outer O-ring.

DO NOT OVER-LUBRICATE THE PISTOL!

- It is recommended to clean the barrel with a cleaning rod every 500 shots. Never lubricate inside the barrel.
- Before you begin oiling or cleaning your air gun, always check to make sure it is unloaded.
- Always be sure your gun barrel is clean and not blocked.
- After cleaning ensure that no cleaning patch or other obstruction remains in the barrel.
- Take your air gun to a gunsmith if water, sand, etc. enters the internal mechanism of the air gun, for complete cleaning.
- Dangerous conditions may occur if you do not keep your air gun clean and working properly.

Quick Fill Nozzle O-Rings Replacement

After a period of time, the O-rings on the fill nozzle will need to be replaced. The need for this will become noticeable if air is heard leaking from the nozzle or the nozzle ejected from the pistol while charging the pistol. Always ensure to replace both O-rings.

Magazine O-rings Replacement

The O-ring which retains the pellets in the magazine will need to be replaced after many hundreds of shots have been shot. Its replacement becomes apparent when the pistol's cocking lever becomes stiff to operate. Repositioning the O-ring in its groove may also overcome the stiffness. Lightly oil the replacement O-ring before fitting.

Safety Measures & Warnings

- This air gun will shoot if cocked, loaded, safety disengaged and trigger pulled.
- Air guns are not toys. Never let young children use an air gun unsupervised. Adult supervision is strictly required during use. Misuse or careless use may cause serious injury or death.
- Learn how your air gun operates and safe gun handling procedures before loading and using it.
- ALWAYS USE EYE & HEARING PROTECTION AND MAKE BYSTANDERS USE THE SAME. Failure to do so may result in eye injuries and permanent hearing loss.
- Do not point at anything you do not intend to shoot even though the gun is unloaded. Always keep the gun pointed in a safe direction.
- Never pull a gun toward you by the muzzle.
- Always aim at a safe target, taking care that it does not conceal any other object.
- Before you shoot, consider where the pellet will travel should you miss your intended target, thus ensuring no damage or harm could result.
- Be sure of your target before you pull the trigger. Never shoot at sounds.
- When shooting, always have a safe shooting range, that is; have a safe area for shooting, a safe distance between you and the target, and a safe backstop to trap the pellets and hold the target.
- Do not shoot at a target, which allows ricochets or deflections. Do not shoot into or at water.
- Do not shoot at or near power lines or insulators. Be especially careful in wooded areas where power lines may not be as visible.
- Do not load the gun until you are ready to shoot.
- Always keep your fingers away from the trigger & muzzle during cocking and handling.
- Do not walk, run or jump when carrying a loaded or cocked air gun. A loaded or a cocked gun should never be carried inside a vehicle, house, camp or public place. Never climb a tree or fence or jump a ditch with a loaded gun. In such a case, first unload it and hand the gun to a friend or place it on the ground on the other side of the obstacle before crossing yourself.
- When transporting the gun, keep it unloaded and 'on safe'.
- Always keep the gun 'on safe' until you are ready to shoot even if the gun is unloaded.
- Do not put the gun away loaded and unattended.
- Always check to see if the gun is 'on safe' and unloaded when getting it from another person or from storage.
- Always keep the air gun and/or pellets out of the reach of children. Keep the air gun and pellets in separate places, better if under lock and key.
- Do not attempt to disassemble or tamper with your gun. Use a competent gunsmith. Many air guns contain powerful springs or high pressure air cylinders which can cause serious injury if released in an uncontrolled manner.
- Always handle and treat your gun as though it were loaded.
- Improper use or handling of air guns is not the responsibility of the manufacturer or distributor, under any circumstances. The user is responsible for any harm, which may be caused.
- Think first, shoot second. Don't rely on any mechanical safety. Half safe is not safe.
- Be safe not sorry. Respect other's property.
- Air guns should never be used under the influences of alcohol or drugs.



HATSAN

ARMS COMPANY

Izmir - Ankara Karayolu 28. km. No. 289
35170, Kemalpaşa Izmir - TURKEY

Tel: +90 (232) 878 91 00 • Fax: +90 (232) 878 91 02

www.hatsan.com.tr info@hatsan.com.tr



facebook.com/hatsan.com.tr



twitter.com/hatsan_arms



youtube.com/hatsanarms