

Raikal[®]



MP-514K
COMPACT AIR RIFLE

Sub Total: 2.132
Tax: 2.000
Shipping & Handling: 2.112
Total Amount: 6.244

Order Number: 2008-02-29 14:15:34
Ship to: 1331991
Ship from: 1331991
Ship date: 2008-02-29 14:15:34
Ship time: 13:04

MP-514K COMPACT AIR RIFLE INSTRUCTION MANUAL

1 GENERAL

1.1 Before using the rifle, familiarize yourself with this Instruction Manual. The Instruction Manual describes briefly the basic specifications, design and operation of the the rifle.

1.2 For parts names, refer to respective figures and tables.

1.3 Since the rifle design is constantly refined to improve its reliability and performance, it is subject to changes without special notice in this Instruction Manual.

2 BASIC DATA

2.1 The MP-514K Compact Air Rifle (Fig. A.1) is designed for primary training for fixed target shooting using american 4, 5 mm BBs intended for airguns. The rifle can be fired at an ambient temperature of 273 deg K (0 deg C) to 323 deg K (+50 deg C).

2.2 The MP-514K Compact Air Rifle complies with the Russian state standard ГOCT 51612-2000, meets

the criminalistical requirements of the Russian Ministry of Internal Affairs referring to restrictions on circulation of civil and service weapons, meets Specifications MP-514K.776221.007TY and is found fit for service.

The MP-514K Air Rifle has been certified as to be in compliance with the safety requirements and carries the Certificate of Compliance POCC RU.MK03. B00811 issued for the period from April 28, 2005 to April 27, 2008.

The Certificate of Compliance has been issued by the Udmurt Certification Center's Agency for Certification of Civilian and Service Weapons and Ammunition, Reg. No. POCC RU0001.11MK03.

2.3 Design and Principle of Operation

2.3.1 For the rifle mechanisms, refer to Fig. A.3.

2.3.2 A BB is propelled from the barrel bore by the action of air which is compressed inside the cylinder by the fast- acting piston which is actuated by the precompressed spring.

WARNING! DO NOT SHOOT THIS RIFLE WITHOUT BBs. SHOOTING THE RIFLE WITHOUT BBs CAUSES DAMAGE TO THE RIFLE PARTS. If there is a necessity for firing a test shot, fire the rifle with a BB at a wooden board with a thickness of about 20 mm at a distance of 20 cm to 30 cm.

2.3.3 The barrel 10 is locked securely in the receiver 12 by means of the latch 22. The seal 8 provides a tight barrel-to-receiver fit.

2.3.4 The rifle is cocked by swinging the barrel up.

The rifle design provides for the following operations involved in cocking:

- lock of the barrel in any of its intermediate positions by means of the lock 33 located on the front post of the receiver and by means the cocking lever 36;
- rearward movement of the piston 32 and placing it into cock;
- engagement of the trigger 30 with the automatic blocking lever 26;
- disengagement of the cocking lever due to interaction between the disconnecter 35 and lock.

To fire the rifle:

- remove the magazine 6. To do it, place pressure on the key 1 and while holding it pressed, turn the rifle to the right;
- load the magazine with BBs (insert BBs from the ratched side);
- replace the magazine;
- swing the barrel completely up;
- return the barrel to its initial position;
- forcibly disengage the blocking lever moving it in the direction of arrow A (Fig. A.2);
- pull the trigger 30.

2.3.5 The rear sight 11 is adjustable for windage and elevation. For elevation adjustment use the rear sight screw; for windage adjustment, move the diopter along the sight leaf guides.

2.3.6 Safe rifle using/handling is ensured by the following features of the rifle design:

- lock of the barrel by resting of the lock against the cocking lever teeth on cocking the piston in case a shooter's hand slips off the barrel;
- the trigger cannot not be actuated if it is pulled unintentionally before the barrel is closed. The blocking lever blocks the top trigger arm.

2.3.7 The rifle design allows mounting a scope.

3 BASIC SPECIFICATIONS

Table 1

Parameter	Value	
	-00	-01
Caliber, mm	4,5	
Overall dimensions, mm, max.	650x55x220	
Weight, kg, max.	3	
Trigger pull, non-adjustable, kgf	2,04...3,78	
Trigger travel length, non-adjustable, mm	3,5...6	
Muzzle energy, J	7,5	
Magazine capacity:		
- Finale Match pellets	8	8
- BBs Ø4,43	10	-
Accuracy, mm, max.:		
- Finale Match pellets	18	18
- BBs	35	-

NOTE — The rifle has been tested for accuracy by firing a 5-shot group at a 10 m range. It is allowed to fire two more 5-shot groups to test the rifle.

4 COMPLETENESS

The rifle comes complete as shown in Table 2.

Table 2

Part Name	Qty
Rifle	1
Piston Cup	1
Mainspring	1
Magazine	1
Cleaning Rod	1
Instruction Manual	1
Packing Carton	1
Magazine for BBs	1

5 STORAGE LIFE

5.1 Storage Life

The storage life of the MP-514K Small-Size Air Rifle kept in the factory intact packing is 24 months from the Manufacturer's date of preservation. After expiration of the above storage life, the rifle should be preserved.

Store the rifle in closed rooms or other air-ventilated places (like stone, concrete or thermally insulated metal storerooms) where air temperature and humidity vary less than outdoors. Storerooms with artificially regulated environmental conditions should be avoided. Storerooms may be located in various macroclimatic regions including tropical regions.

6 NOTES ON USING THE RIFLE

6.1 Safety Precautions

WARNING! DO NOT SHOOT THIS RIFLE WITHOUT BBs. SHOOTING THE RIFLE WITHOUT BBs CAUSES DAMAGE TO THE RIFLE PARTS. If there is a necessity for firing a test shot, fire the rifle with a BB at a wooden board with a thickness of about 20 mm at a distance of 20 cm to 30 cm.

6.1.1 Any airgun, though it has various safeties, may become dangerous if carelessly handled. That is why follow all safety rules closely and remember that ignorance of these rules may lead to personal injury or even death.

6.1.2 FOLLOW ALL INSTRUCTIONS OF "OPERATING PROCEDURE" AND "MAINTENANCE" CLOSELY.

6.1.3 WHEN USING THE RIFLE, YOU MUST NOT:

- AIM THE RIFLE MUZZLE END AT PEOPLE;
- PULL THE TRIGGER AND PLACE PRESSURE ON THE BLOCKING LEVER AT THE SAME TIME, IF THE BARREL IS NOT LOCKED;
- STORE OR LEAVE THE RIFLE LOADED IF THE PISTON IS COCKED;
- DISASSEMBLE THE LOADED RIFLE IF THE PISTON IS COCKED;
- FIRE THE DAMAGED RIFLE.

6.1.4 MAKE SURE THE BLOCKING LEVER OF THE COCKED RIFLE IS ENGAGED. IF THE BLOCKING LEVER ENGAGED, THE RED DOT ON ITS SIDE IS COVERED.

6.1.5 When cocking the rifle, keep your finger away from the trigger to avoid accidental discharge.

6.1.6 After firing, fire a check shot in the safe direction to make sure that the rifle is unloaded.

6.2 Operating Procedure

6.2.1 When preparing the rifle for using for the first time, remove rust-preventive lubricants from the barrel bore and excess lubricants from the rifle outer surfaces. Examine the rifle external parts to make sure they are not damaged or cracked.

6.2.2 To fire the rifle:

- remove the magazine. To do it, place pressure on the key 1 and while holding it pressed, turn the rifle to the right.

Select the magazine type depending on ammunition you are going to use either Diabolo- type pellets or BBs.

To fire the Diabolo-type pellets:

1) insert pellets into the radial holes in the magazine from the ratched side (make sure you insert pellets with their head facing forward). Check that pellets fit into their holes snugly and do not protrude;

2) turn the rifle to the left and insert the loaded magazine into the magazine opening (the ratch should face back). Depress the key.

To fire BBs:

1) in the magazine for BBs move the follower and then turn it. The follower will lock;

2) load the magazine with 10 BBs feeding them through the hole in the magazine;

3) unlock the follower to provide tight fit of BBs in the magazine;

2.3.5 The rear sight 11 is adjustable for windage and 4) turn the rifle to the left and insert the loaded magazine into the magazine opening. Depress the key; - place pressure on the barrel latch and swing the barrel with its casing completely down. The piston will cock overcoming the main spring;

- return the barrel with its casing to the initial position and latch it.

6.2.3 Before shooting, disengage the blocking lever by applying pressure on it in the direction of arrow A (Fig. A.2). If you need to engage the blocking lever, apply pressure on it in the direction of arrow B.

6.2.4 The rifle is now ready for shooting.

6.2.5 When using/handling the rifle, follow instructions prescribed in "Safety Precautions".

6.3 Maintenance

6.3.1 Proper handling and care extend the service life and ensure trouble- free operation of the rifle.

6.3.2 To extend the rifle service life, follow the safety rules below:

- do not fire the rifle without BBs;

- use ammunition intended for airguns only;

- periodically, but not rarely than every 800-1000 shots, oil the mainspring 9 and the piston cup (Fig. A.3).

6.3.3 **WARNING! DO NOT DISASSEMBLE THE RIFLE IF IT IS COCKED. THE MAINSPRING IS UNDER COMPRESSION AND CAN CAUSE INJURY WHEN YOU DISASSEMBLE YOUR RIFLE.** Disassemble the rifle only if it is necessary for preventive inspection and repair. Disassemble as instructed below (Fig. A.3):

- remove the right-hand frame screw 21, butt pad screw 42 and the receiver screw 17 and detach the right-hand frame 24;

- remove the screws of the left-hand frame 25 and detach the frame;

- remove the trigger housing pin 29;

WARNING! DO NOT DISASSEMBLE THE RIFLE HOLDING THE RECEIVER UNSUPPORTED AS THE BUTT PAD CAN BE ABRUPLY THROWN BY THE SPRING CAUSING SERIOUS PHYSICAL INJURY.

- apply pressure on the blocking lever pusher 16, rest the receiver rear end on a support and carefully turn the trigger housing 13 until the trigger housing pin goes out off the receiver opening. Remove the trigger housing overcoming the mainspring 14;

- remove the mainspring and the piston 32 with its rod 9;

- swing the barrel at any angle between 60 deg and 90 deg, depress the lock 33 and remove the disconnecter 35;

- remove the barrel pin 41;

- separate the barrel with the cocking lever from the receiver.

6.3.4 Reassemble the rifle in the reverse order.

When reassembling, be careful not do damage the piston cup in the slot in the receiver.

6.3.5 If the BB speed becomes slow resulting in low penetrating force, replace the mainspring.

6.3.6 If in firing a leakage is located between the breech and the receiver, turn the barrel seal in its seat through an angle of 180 deg.

6.3.7 When necessary, tighten the screws of the frames, barrel pad and receiver.

6.3.8 When in storing, the piston should be uncocked to avoid slackening of the mainspring. Keep the rifle in a dry place.

7 ACCEPTANCE AND PACKING CERTIFICATE

The MP-514K Compact Air Rifle NO. 0457401236 has been manufactured and accepted in accordance with the technical specifications MP-514K. 776321.007 TY and found fit for service.

The rifle has been given a preservative treatment and packed by FGUP "Izhevsky Mekhanichesky Zavod" in accordance with the requirements of the above-mentioned technical specifications.

Date of manufacture - 9 JUL 2007

Accepted by OTK2657 signature

6.2.8 При взведенной винтовке (поршень поставлен на боевой взвод), в том случае, если Вы открыли ствол, не произведя перед этим выстрел, для отключения блокировки ствола последний следует повернуть до упора в крайнее заднее положение, приложив в конце усилие как и при взведении винтовки после выстрела.

6.2.8 To disengage the barrel blocking in the cocked rifle (with the piston cocked too) after you break the barrel open but do not fire a shot before it, turn the barrel fully to the rear finally applying that force you use for cocking the rifle after shooting.

APPENDIX A
(for reference)

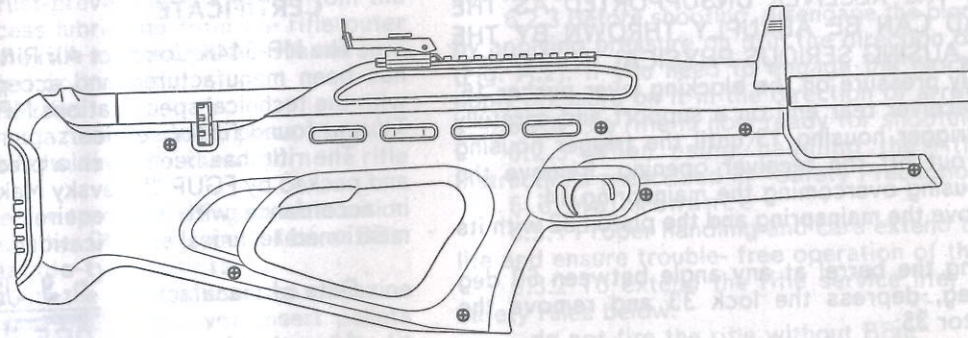


Fig. A.1 – MP-514K Rifle

1-KEY 3
1-LOADING ROD
1-MAINSPRING
1-REAR SPRING
1-LOCK SPRING

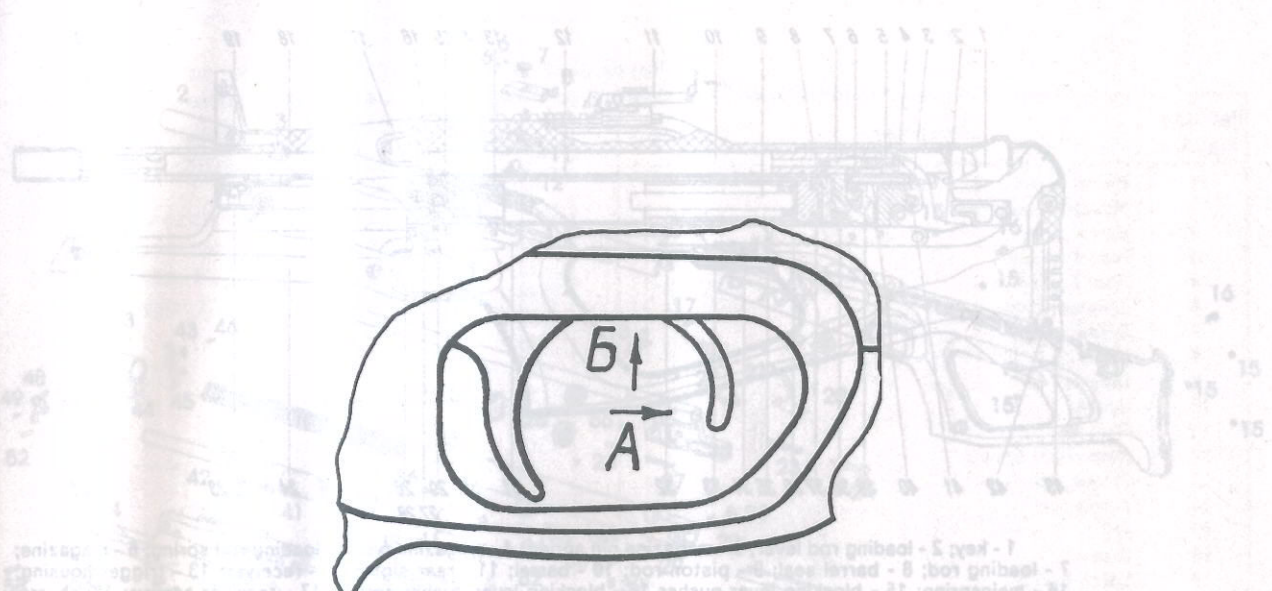
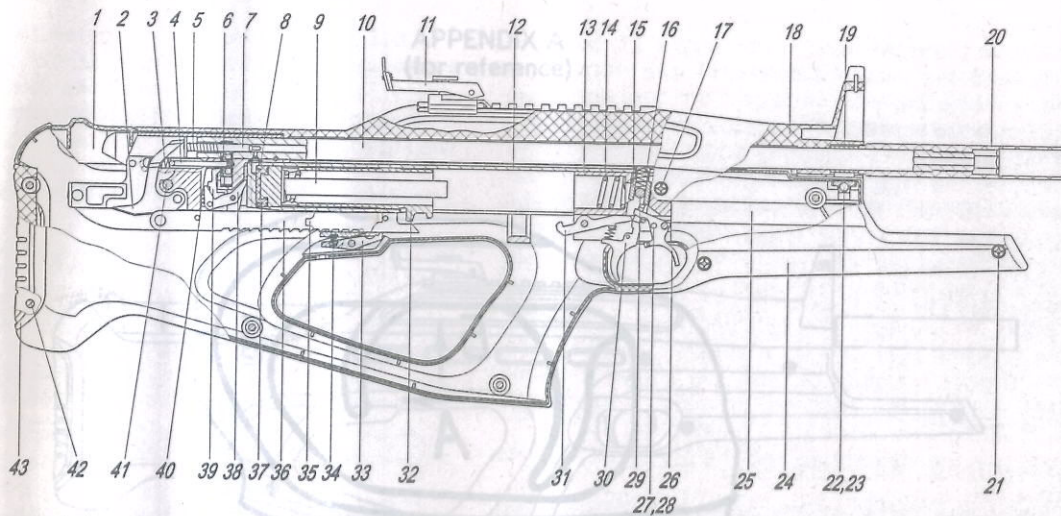


Fig. A.2 - Blocking Lever Operation Scheme

- 1 - key; 2 - loading rod
- 3 - loading rod; 4 - barrel seat; 5 - piston; 6 - piston; 7 - piston; 8 - piston; 9 - piston; 10 - piston; 11 - piston; 12 - piston; 13 - piston; 14 - piston; 15 - piston; 16 - piston; 17 - piston; 18 - piston

Fig. A.4 - Assembly Diagram



- 1 - key; 2 - loading rod lever; 3 - magazine pin spring; 4 - magazine pin; 5 - loading rod spring; 6 - magazine; 7 - loading rod; 8 - barrel seal; 9 - piston rod; 10 - barrel; 11 - rear sight; 12 - receiver; 13 - trigger housing; 14 - mainspring; 15 - blocking lever pusher; 16 - blocking lever pusher spring; 17 - receiver screws; 18 - barrel casing; 19 - barrel stop; 20 - muzzle attachment; 21 - frame screw; 22 - latch; 23 - latch spring; 24 - RH frame; 25 - LH frame; 26 - blocking lever; 27 - ball; 28 - ball spring; 29 - pin; 30 - trigger; 31 - sear; 32 - piston; 33 - lock; 34 - lock spring; 35 - disconnecter; 36 - cocking lever; 37 - piston cup; 38 - magazine pusher lever; 39 - magazine pusher; 40 - magazine pusher spring; 41 - barrel pin; 42 - butt pad screw; 43 - butt pad.

Fig. A.3 - Scheme of Mechanisms

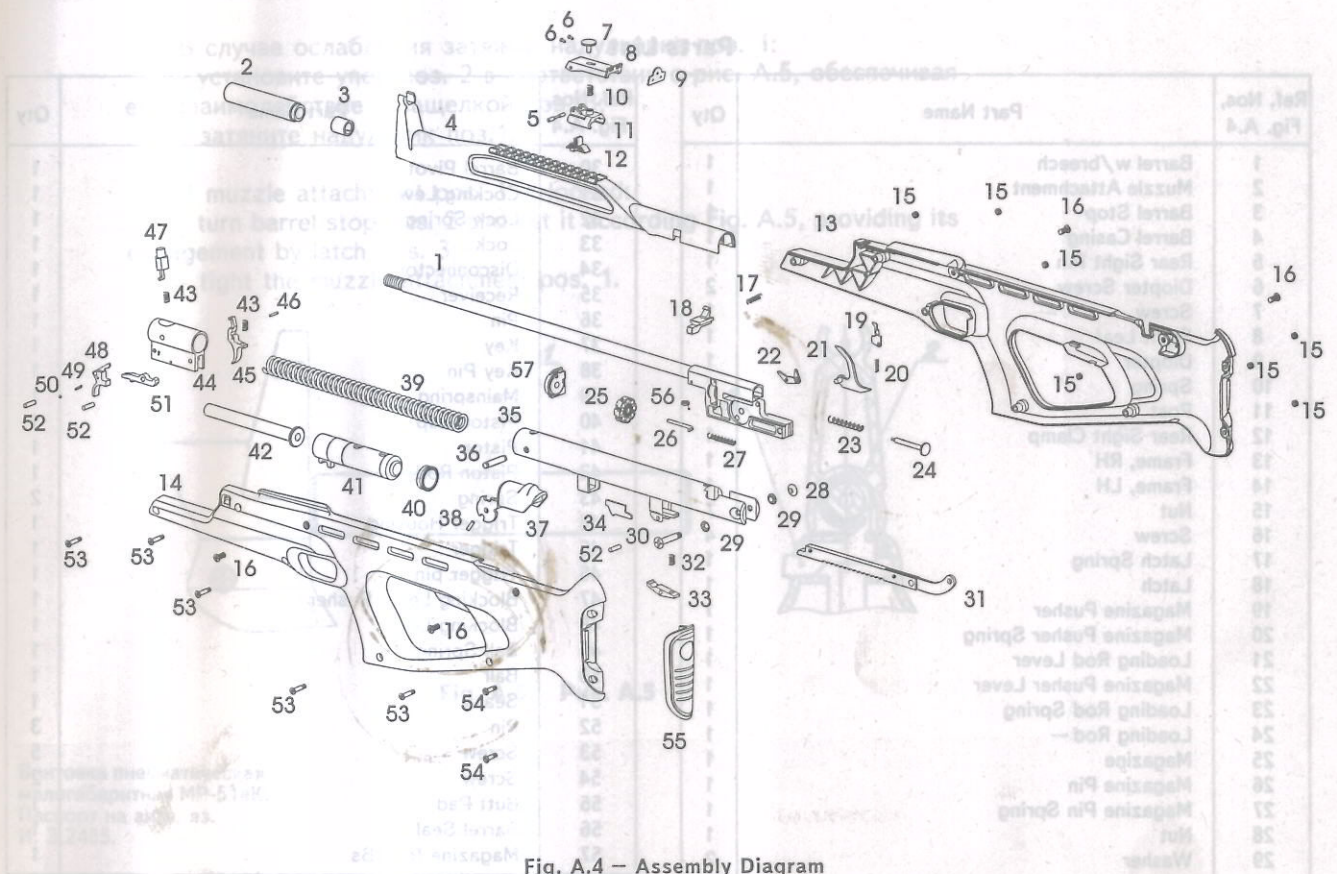


Fig. A.4 - Assembly Diagram

Part Name	Part No.
Barrel w/insert	1
Muzzle Attachment	2
Barrel Stop	3
Barrel Cap	4
Barrel Spring	5
Slide	6
Slide Stop	7
Slide Lock	8
Slide Pin	9
Slide Stop Pin	10
Slide Stop Spring	11
Slide Stop Pin Spring	12
Slide Stop Pin Spring	13
Slide Stop Pin Spring	14
Slide Stop Pin Spring	15
Slide Stop Pin Spring	16
Slide Stop Pin Spring	17
Slide Stop Pin Spring	18
Slide Stop Pin Spring	19
Slide Stop Pin Spring	20
Slide Stop Pin Spring	21
Slide Stop Pin Spring	22
Slide Stop Pin Spring	23
Slide Stop Pin Spring	24
Slide Stop Pin Spring	25
Slide Stop Pin Spring	26
Slide Stop Pin Spring	27
Slide Stop Pin Spring	28
Slide Stop Pin Spring	29
Slide Stop Pin Spring	30
Slide Stop Pin Spring	31
Slide Stop Pin Spring	32
Slide Stop Pin Spring	33
Slide Stop Pin Spring	34
Slide Stop Pin Spring	35
Slide Stop Pin Spring	36
Slide Stop Pin Spring	37
Slide Stop Pin Spring	38
Slide Stop Pin Spring	39
Slide Stop Pin Spring	40
Slide Stop Pin Spring	41
Slide Stop Pin Spring	42
Slide Stop Pin Spring	43
Slide Stop Pin Spring	44
Slide Stop Pin Spring	45
Slide Stop Pin Spring	46
Slide Stop Pin Spring	47
Slide Stop Pin Spring	48
Slide Stop Pin Spring	49
Slide Stop Pin Spring	50
Slide Stop Pin Spring	51
Slide Stop Pin Spring	52
Slide Stop Pin Spring	53
Slide Stop Pin Spring	54
Slide Stop Pin Spring	55

Parts List

Ref. Nos, Fig. A.4	Part Name	Qty	Ref. Nos, Fig. A.4	Part Name	Qty
1	Barrel w/breech	1	30	Barrel Pivot	1
2	Muzzle Attachment	1	31	Cocking Lever	1
3	Barrel Stop	1	32	Lock Spring	1
4	Barrel Casing	1	33	Lock	1
5	Rear Sight Pin	1	34	Disconnecter	1
6	Diopter Screw	2	35	Receiver	1
7	Screw	1	36	Pin	1
8	Sight Leaf	1	37	Key	1
9	Diopter	1	38	Key Pin	1
10	Spring	1	39	Mainspring	1
11	Post	1	40	Piston Cup	1
12	Rear Sight Clamp	1	41	Piston	1
13	Frame, RH	1	42	Piston Rod	1
14	Frame, LH	1	43	Spring	2
15	Nut	7	44	Trigger Housing	1
16	Screw	4	45	Trigger	1
17	Latch Spring	1	46	Trigger pin	1
18	Latch	1	47	Blocking Lever Pusher	1
19	Magazine Pusher	1	48	Blocking Lever	1
20	Magazine Pusher Spring	1	49	Ball Spring	1
21	Loading Rod Lever	1	50	Ball	1
22	Magazine Pusher Lever	1	51	Sear	1
23	Loading Rod Spring	1	52	Pin	3
24	Loading Rod	1	53	Screw	5
25	Magazine	1	54	Screw	2
26	Magazine Pin	1	55	Butt Pad	1
27	Magazine Pin Spring	1	56	Barrel Seal	1
28	Nut	1	57	Magazine for BBs	1
29	Washer	2			

- В случае ослабления затяжки надульника поз. 1:
- установите упор поз. 2 в соответствии с рис. А.5, обеспечивая его взаимодействие с защелкой поз. 3;
 - затяните надульник поз.1.

- If muzzle attachment pos. 1 is loosed:
- turn barrel stop pos. 2 and set it according Fig. A.5, providing its engagement by latch pos. 3;
 - tight the muzzle attachment pos. 1.

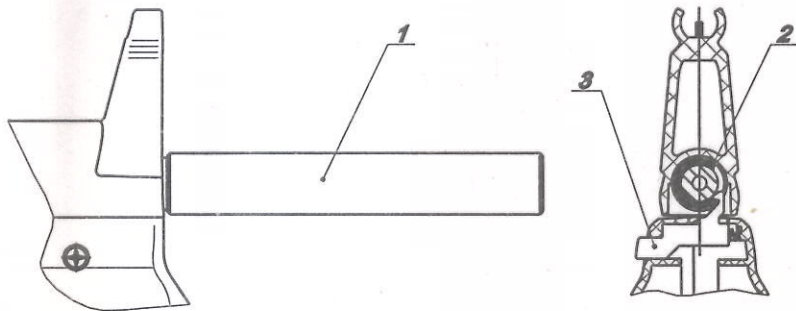


Fig. A.5 Рис. А.5

Винтовка пневматическая
малогобаритная МР-514К.
Паспорт на англ. яз.
И. 3.2465.

