



Automatic Electric Gun (A.E.G.) Adjustable Hop Up
Metal Gearbox Pre-Upgraded Internals



**VECTOR ARMS AK-47RIS - 47RIS
SERIES**

Read Through Manual Before Use

Visit us at:

WWW.ECHO1USA.COM

-WARNING-

This AEG is FOR AGES 18 and above.

This AIRSOFT gun can cause serious injury if misused. Full face protection is required.

Please read through the MANUAL BEFORE USE to avoid damages and injuries.

ECHO 1 User Manual

It is your **RESPONSIBILITY** to know your local and state laws regarding the **OWNERSHIP, USE and TRANSPORT** of your airsoft gun. If you are unsure of the laws, contact your local law enforcement agency or state government.


- Wear full eye and face protection at all times when handling or using an airsoft gun.
- Always keep your airsoft gun pointed in a safe direction.
- Always keep your airsoft gun unloaded until ready to use.
- Always keep your finger off the trigger until you are ready to shoot.
- Know your target and what is beyond it.
- Know how to operate your airsoft gun. (Refer to your owners manual)
- Use only the recommended BB's in your airsoft gun.
- Never use alcohol or over the counter, prescription or other drugs before or while shooting your airsoft gun.
- Store airsoft guns so they are not accessible to unauthorized persons.
- Make sure your airsoft gun is unloaded and battery has been removed prior to cleaning and storage.

Parts of the Gun

VECTOR ARMS AK-47RIS



Specs of the Gun

Name of Gun	VECTOR ARMS AK-47RIS	
Weight	5.5lb	
Barrel Length	455mm	
Overall Length	860mm	
Barrel Caliber	6.08mm	
BB Capacity	600bb	
BB Size	6mm	
Feet Per Second	370-400+(varies by series)	
Battery Type	8.4v Large	

Selector Modes



SAFE:
The trigger is secure
gun should not fire.



FULL AUTO:
Gun will fire continuously
while trigger is pulled.



SEMI:
One bb will fire with
each trigger pull.

How to Install The Battery

Charge the battery for 3 hours for the first time. When charging have the battery away from ALL COMBUSTIBLE MATERIALS and on cool hard surface. If battery becomes HOT remove from charger and let it COOL before use. When cycle rate becomes slow, STOP shooting and remove magazine. Shoot 2 times in SEMI to clear the gun, remove battery and recharge.

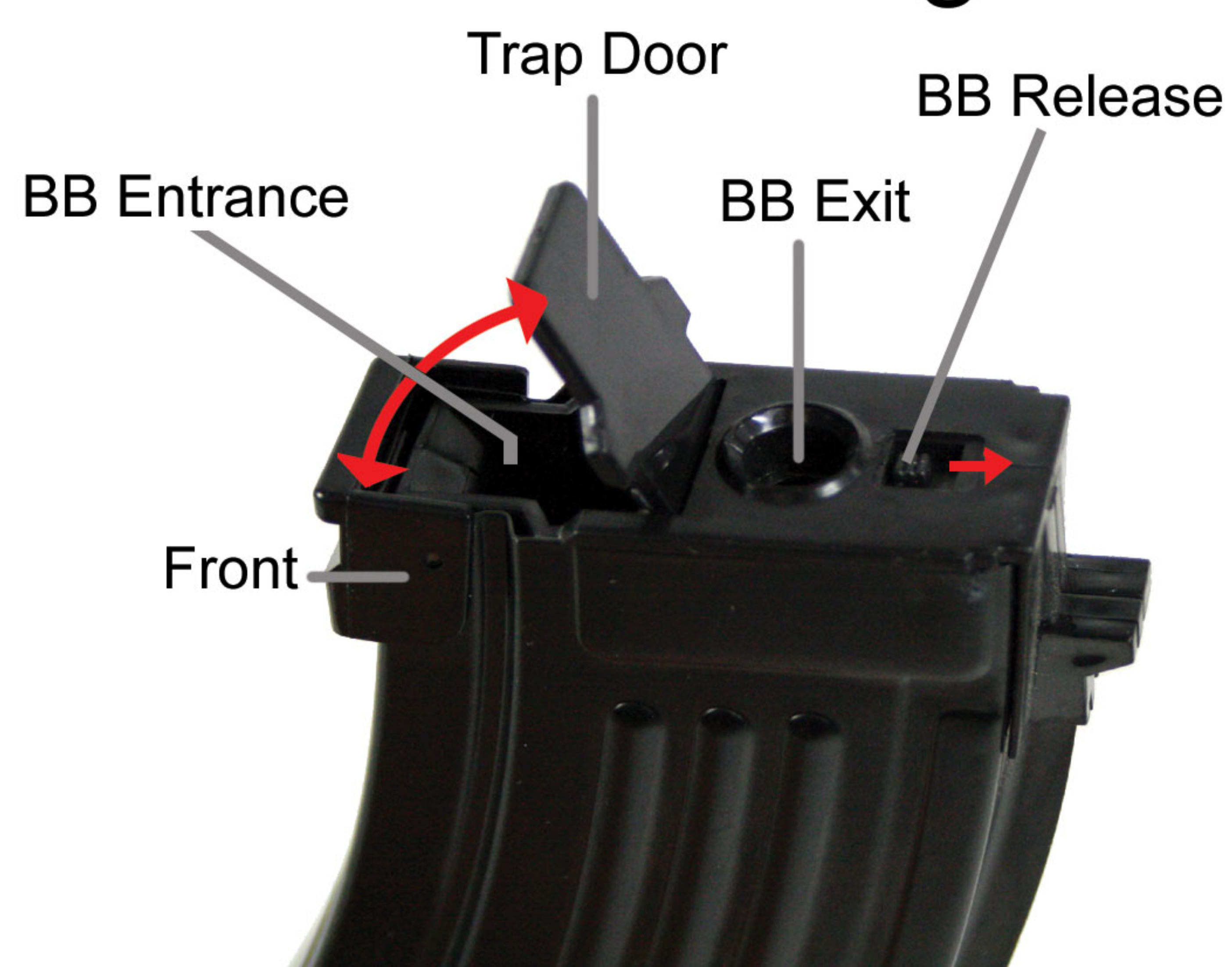
FULL STOCK(Large Battery)



FOLDING STOCK(Stick Battery)



How to Use the Magazine



LOADING

- STEP 1: Flip open the trap door and pour in Echo1 bb's until full.
- STEP 2: Turn the mag gear until bb's are present at the exit.
- STEP 3: Add more bb's if needed.
- STEP 4: Close trap door.

INSERTING INTO GUN

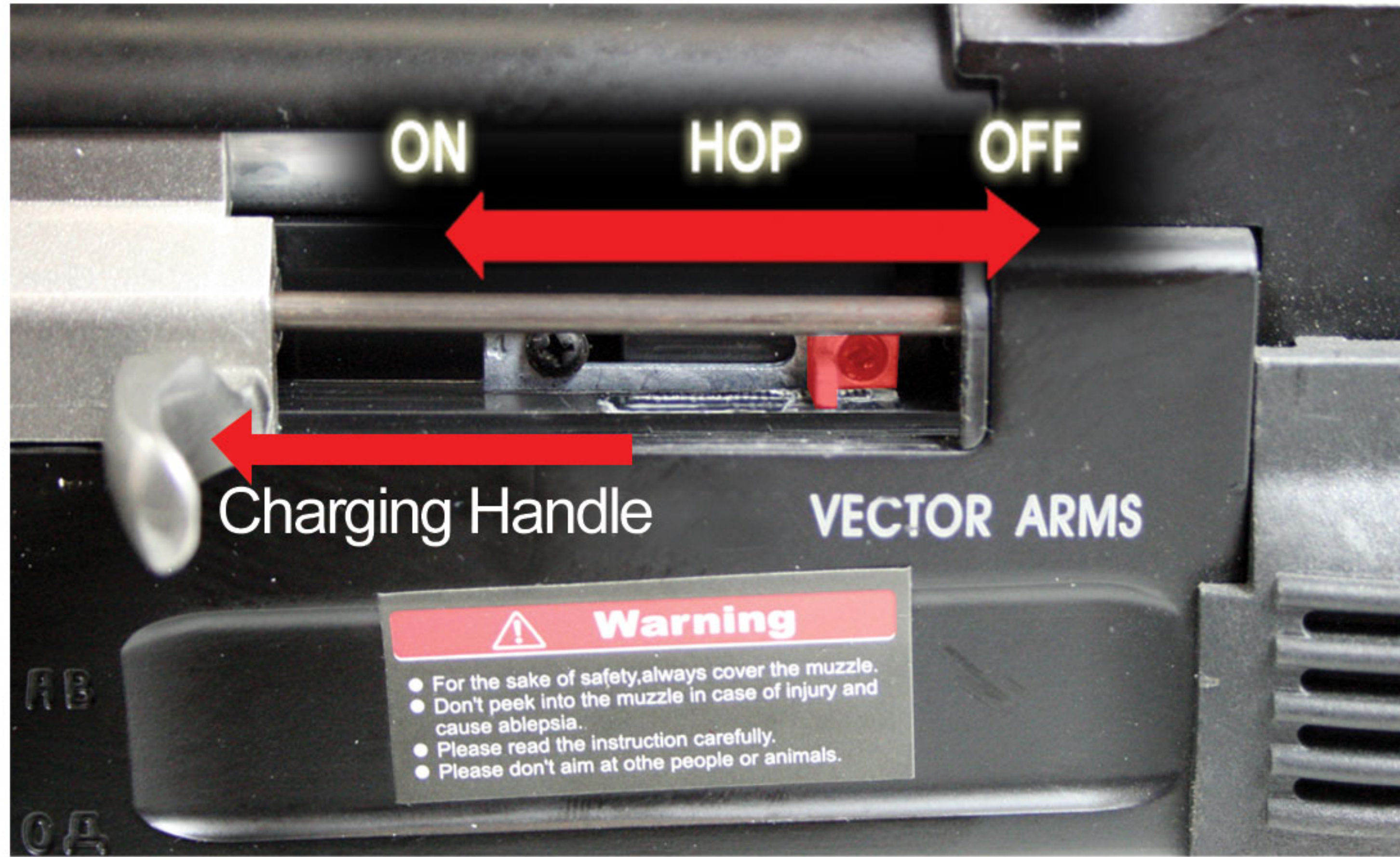
- STEP 1: Have front magazine in front of mag well.
- STEP 2: Pivot the magazine back.
- STEP 3: "CLICK" means the magazine is secure.



Operational Tips:

- Keep dirt and debris out of the magazine.
- Do not over turn the mag gear or damage may occur.
- Turn the mag gear 7-10 times for every 20+ bb's shot.

The Hop Up System



CAUTION:

Before adjusting and testing the hop up go to a safe location to fire the gun. Always look past your target to see where the bb's will go if you miss. Safety first.

STEP 1:

Pull back the charging handle to access the unit.

STEP 2:

Gently slide the lever back or forward.

STEP 3:

Fire the gun and see how far it goes in a straight line.

STEP 4:

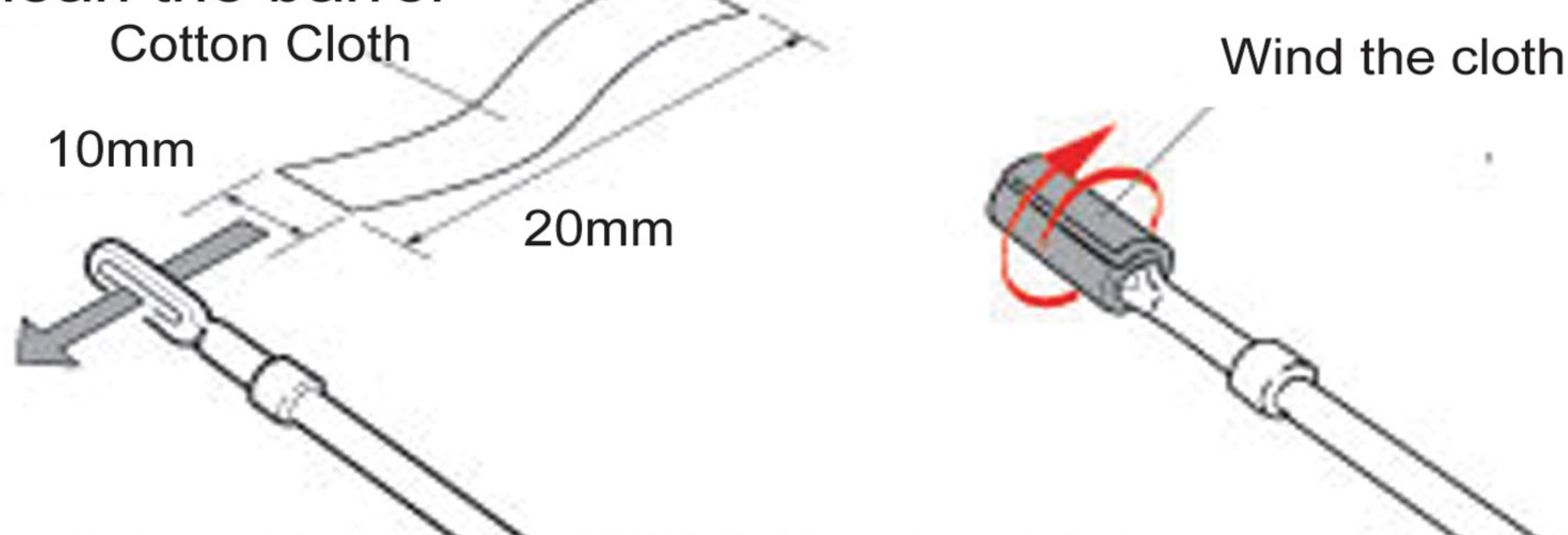
Make adjustments with the hop up lever until the bb goes the furthest.

Operational Tips:

- Keep dirt and debris out of the hop up unit and chamber.
- Do not use force to adjust the wheel.
- If the hop up is on too much jamming may occur.
- Only use silicon oil when range decreases.

Cleaning and Unjamming

How to clean the barrel



Cut the cloth in the size as shown above and insert one end into the hole in the rod. Adjust the length of the cloth to smoothly enter the barrel.

CAUTION:

Turn the hop up wheel to normal/OFF. (see Hop Up page)



CAUTION:

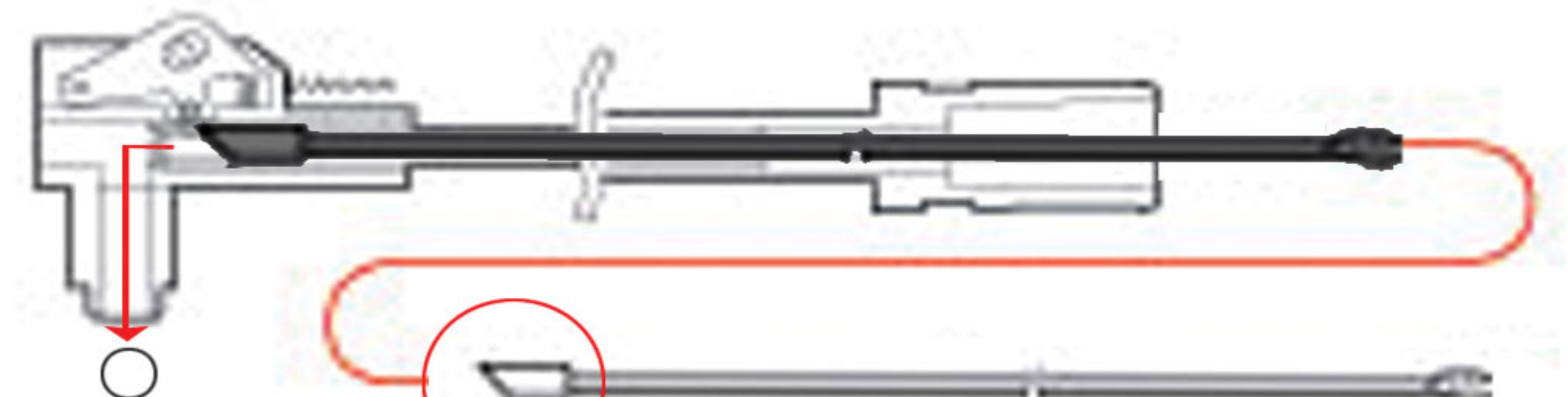
The barrel is a precision part and firing used BB's will cause damage.

1. Spray silicon oil into the hop up chamber from the mag well for 1 sec. and fire 20-30 BB's to oil inner barrel and hop up parts.
 2. IMPORTANT: make sure the magazine and battery are removed from the gun before step 3.
 3. With a twisting motion gently push the cloth and rod down the barrel. May need to use 2-3 cloth strips.
- NOTE: If oil is still in barrel the BB trajectory will be unstable for 20-30 rounds.

Jammed BB

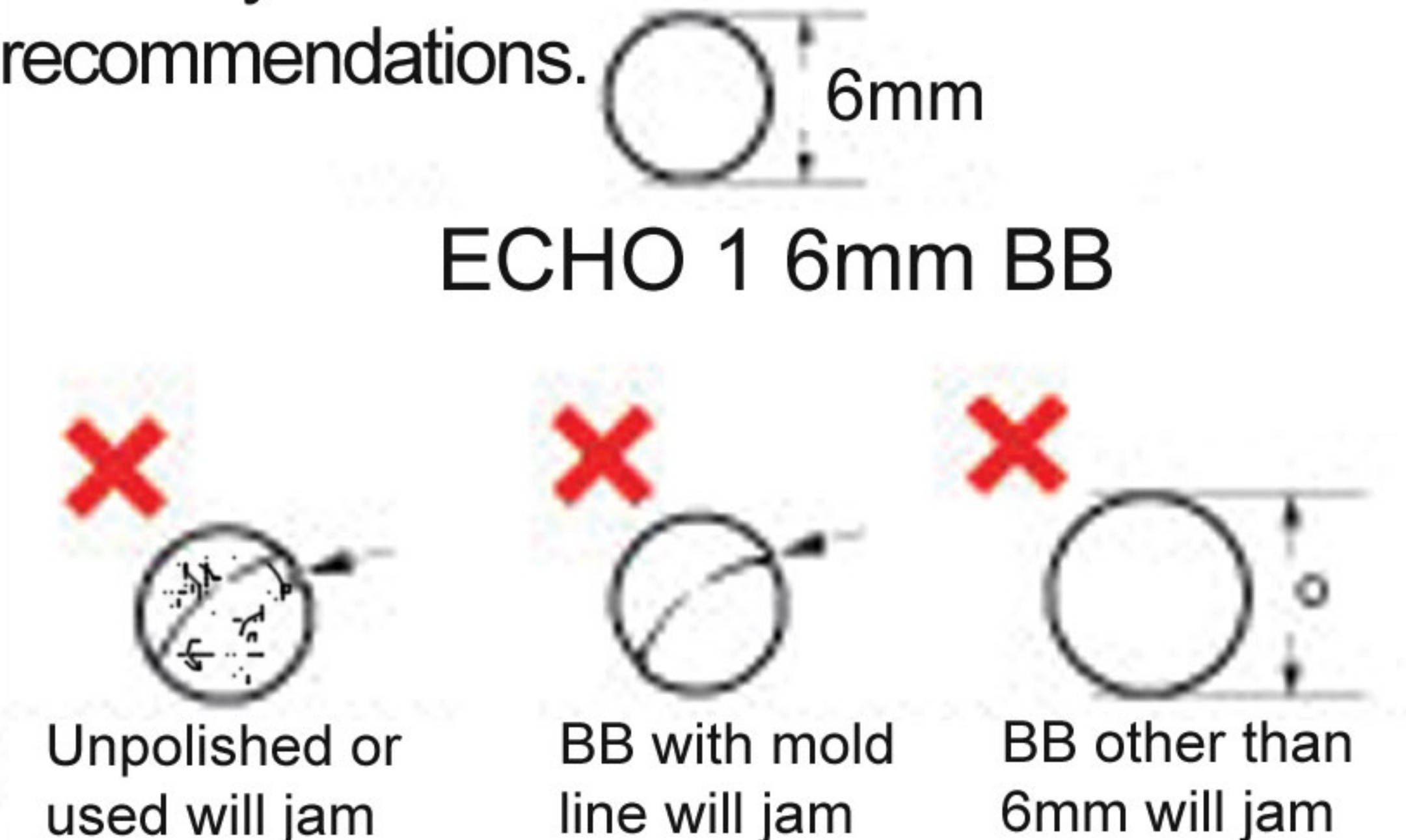
If gun is jammed with a BB follow these steps.

1. Switch gun to SAFE, remove MAGAZINE and BATTERY.
2. Turn hop up to NORMAL/OFF.
3. Use the angled end of the cleaning rod to push the BB backwards and out through the loading chamber.
4. Make sure to have the angled end as shown in figure, silicon oil will help loosen BB.
5. Continuing firing with BB jammed will cause severe damage to your AEG.



IMPORTANT:

Use only ECHO 1 BB's or BB's of equal quality consult your authorized ECHO 1 dealer for recommendations.



ECHO 1 User Manual

Trouble Shooting

What is the gun doing?	How to fix
Gun is making a clicking noise but not shooting.	Use a fully charged battery to unlock the gears.
The trigger is stuck and won't pull back in SEMI.	Switch the selector to FULL, fire 2-3 rounds and switch back to SEMI.
No power or noise coming from the gun.	Fuse may be blown. Replace with a 20A or 25A fuse found at most auto stores.
Grindy/Scratchy noise when shooting.	Motor height is too high/low. Turn allen screw at bottom of motor grip left or right until sound goes away.
Jamming or not shooting BB's.	Barrel is jammed, please check page 3.
Not working after troubleshoot.	Contact info@echo1usa.com on our site for more help.

