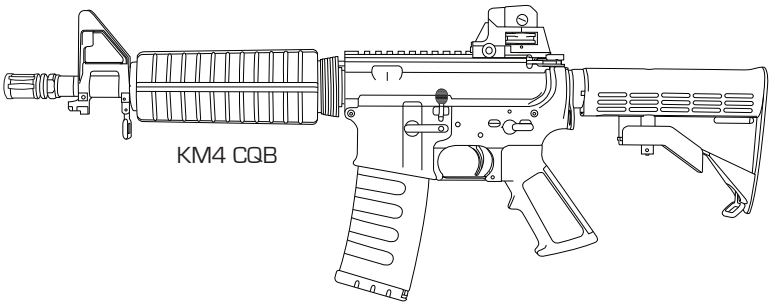
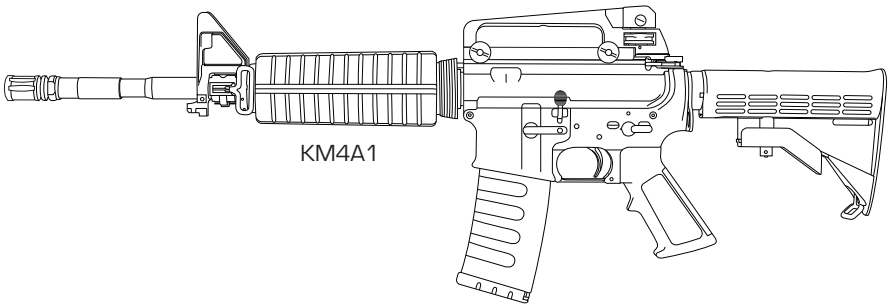


# KWA<sup>®</sup>

## KM4 SERIES



## OPERATOR'S MANUAL

Please read this manual carefully before using the Airsoft gun.

**TABLE OF CONTENTS**

Warranty .....	3-4
Use of this Manual.....	5
Safety Guidelines .....	5-6
Specifications and Package Contents:	
KM4A1 .....	7
KM4 CQB.....	8
Battery Installation and Fuse.....	9
Loading BBs .....	10
Using KWA High Performance BB Loader .....	11
Loading Magazine .....	12
Fire Selector Switch.....	12
Front and Rear Sight Adjustment .....	13
Disassembly .....	14
Assembly.....	14
Cleaning .....	15
Hop-Up System .....	16
Troubleshooting .....	17
Operating Under Unusual Conditions .....	17
Diagram and Parts Lists:	
KM4A1 Parts Diagram .....	18-19
KM4A1 Parts List .....	20-21
KM4 CQB Parts Diagram.....	22-23
KM4 CQB Parts List.....	24-25
KWA 2GX Gearbox Parts Diagram .....	26
K120 Magazine Parts Diagram .....	27

# KWA<sup>®</sup>

## WARRANTY

KWA PERFORMANCE INDUSTRIES, INC.

18571 E. Gale Ave.

City of Industry, CA 91748

(626) 581-1777

### **THANK YOU FOR PURCHASING A KWA PERFORMANCE INDUSTRIES, INC. PRODUCT.**

KWA Performance Industries, Inc. is committed to serving our customers with the finest quality products, the highest level of service, and the best customer satisfaction. Because of this, we offer a 90 day warranty on all KWA products we import and distribute.

#### **Warranty Coverage**

Except as specified below, this warranty covers all defects in material and workmanship in KWA products that occur during the above warranty period. The following are not covered by the warranty: (1) Any product which is not imported and distributed in the U.S.A. by KWA PERFORMANCE INDUSTRIES, INC. (2) Any products not purchased in the U.S.A. from a KWA AUTHORIZED RESELLER. If you are uncertain as to whether a reseller is a KWA AUTHORIZED RESELLER, please contact KWA PERFORMANCE INDUSTRIES, INC. as listed above or visit our website [www.kwausa.com/where-to-buy](http://www.kwausa.com/where-to-buy) (3) Damages, deterioration, or malfunction resulting from: a) An accident, act of nature, abuse, misuse, neglect, opening of or modification or failure to follow instructions supplied with the product. b) Repair or attempted repair by anyone not authorized by KWA PERFORMANCE INDUSTRIES, INC. c) Removal of the orange safety tip. (4) Use of the product outside the U.S.A. (5) Damaged batteries or improper use of bullets (BBs), or non approved propellants (ie. Propane, Red Gas, 134a...etc.) (6) Use in industrial, commercial, and/or professional applications.

#### **What KWA Will Pay For**

If your KWA product is found to be defective by KWA Performance Industries, Inc. during the applicable warranty period from the date of original purchase, KWA Performance Industries, Inc. will repair, or at its option, replace with new, used, or equivalent model, the defective product without charge for parts or labor.

### **How To Obtain Warranty Service**

If your product needs service, it may be taken or shipped to KWA Performance Industries, Inc. The following procedures apply whenever your unit must be transported for warranty service:

- You must go to the Help Desk at [www.kwusa.com/support](http://www.kwusa.com/support) to obtain an RMA number. **THE RMA NUMBER MUST BE CLEARLY MARKED ON THE OUTSIDE OF THE PACKAGE. PACKAGES WITHOUT AN RMA NUMBER CLEARLY MARKED WILL BE REFUSED AND RETURNED TO THE SENDER.**
- You are responsible for transporting your unit or arranging for its transportation.
- If shipment of your unit is required; you must pay the initial shipping fee, but we will pay the return shipping charge if the repairs are covered by the warranty.
- **WHEN RETURNING YOUR UNIT FOR WARRANTY SERVICE, A COPY OF THE ORIGINAL SALES RECEIPT MUST BE ATTACHED.**
- You must include the following: RMA number, your name, address, daytime telephone number, model and serial number (if applicable) of the product and a description of the problem.

### **This Warranty is Only Valid in the United States**

If your product does not require service, but you have questions regarding its operation, please contact our Help Desk at [www.kwusa.com/support](http://www.kwusa.com/support).

THIS WARRANTY IS EXPRESSLY MADE IN LIEU OF ALL OTHER WARRANTIES, EXPRESSED OR IMPLIED, INCLUDING WITHOUT LIMITATION, WARRANTIES OF MERCHANTABILITY AND FITNESS FOR A PARTICULAR PURPOSE.

OUR LIABILITY IS LIMITED TO THE REPAIR OR REPLACEMENT, AT OUR OPTION, OF ANY DEFECTIVE PRODUCT AND SHALL IN NO EVENT INCLUDE INCIDENTAL OR CONSEQUENTIAL COMMERCIAL OR PROPERTY DAMAGES OF ANY KIND. WE ARE NOT RESPONSIBLE FOR PRODUCTS LOST, STOLEN AND/OR DAMAGED DURING SHIPPING.

SOME STATES DO NOT ALLOW LIMITATIONS ON HOW LONG AN IMPLIED WARRANTY LASTS AND/OR DO NOT ALLOW THE EXCLUSION OF INCIDENTAL OR CONSEQUENTIAL DAMAGES, THE ABOVE LIMITATIONS AND EXCLUSIONS MAY NOT APPLY TO YOU.

This warranty gives you specific legal rights, but you may also have other rights which vary from state to state. This Warranty may not be altered other than in writing signed by an officer of KWA Performance Industries, Inc.

---

## USE OF THIS MANUAL

Before operating the Airsoft gun, read this manual in its entirety. Important safety topics and tips are discussed throughout all of the chapters. It's important that the operator know the principles of gun handling, safety, and operation prior to firing the Airsoft gun.

## SAFETY GUIDELINES

### Safety Distance

The effective shooting range is approximately 175 feet. BBs fired from this Airsoft gun may travel farther than intended. Make certain that you have an adequate backstop.

### Eye Protection

Eye protection should be worn at all times when both shooting and maintaining your Airsoft gun. Protect your eyes from BBs under pressure while performing maintenance on your Airsoft gun.

### Assume Every Gun is Always Loaded

Until you are certain the chamber is empty, treat every gun as if it were loaded. Do not assume the chamber is empty based on your memory or someone else's words. Always remove the magazine and visually check to confirm the chamber is empty.

### Beware of Barrel Obstructions

Ensure the Airsoft gun barrel is free of obstructions before you fire the gun. Even the smallest obstruction such as dirt, dust, or a stuck cleaning patch can cause a jam, misfire, or malfunction.

### Muzzle Control

Always keep the muzzle of the gun pointed in a safe direction. Never point the muzzle at a person or object that you do not intend to shoot.

### Keep Your Safety On

Keep the gun's safety on until your sights are aligned on your target and you are ready to fire.

### Keep Your Finger Off The Trigger

Keep your finger off the trigger and out of the trigger guard until your sights are aligned on your target and you are ready to fire.

### Identify Your Target and Backstop

Before you pull the trigger, make certain of your target and what is beyond it. The Airsoft gun should never be fired at surfaces such as rocks, glass, water, or other hard surfaces where BBs are likely to ricochet in unpredictable directions.



### WARNING:

- Airsoft BBs can be a choking hazard. Keep them away from children.
- Failure to follow safety guidelines may result in serious injury.

## **SAFETY GUIDELINES (CONTINUED)**

### **Failure To Fire**

If the Airsoft gun fails to fire, misfires, or malfunctions, do not look into the gun barrel. BBs can become lodged into the chamber, and serious eye injury may occur.

### **Maintain Your Gun Properly**

Performing proper maintenance, as outlined in this manual, ensures that your Airsoft gun will be safe to shoot and will perform to its designed specifications for many years. Alterations, modifications or adjustments may damage your Airsoft gun, make it unsafe to shoot, and will void all warranty claims.

### **Store Your Gun Safely**

Always store the Airsoft gun in a safe place, and out of reach of children. Always transport the Airsoft gun in a carrying case. Never display the Airsoft gun in a public place. Keep the safety engaged, and remove the magazine before storing the Airsoft gun.

**NOTE:** IT IS YOUR RESPONSIBILITY TO TAKE EVERY REASONABLE PRECAUTION TO ENSURE THE SAFE STORAGE AND TRANSPORTATION OF YOUR AIRSOFT GUN.

### **Orange Tip**

The orange tip on Airsoft guns help Law Enforcement distinguish the replica guns from their real firearm counterparts. Altering the coloration or markings required by state or Federal law so as to make the product look more like a firearm is dangerous and may be a crime. Operator assumes all risks and responsibility when doing so.

### **Hazards of Being Mistaken for a Real Firearm**

Airsoft guns have been mistaken by Police and Law Enforcement as real firearms. A confrontation with law enforcement while carrying an Airsoft gun can result in serious injury or even death. It is strongly advised to operate the Airsoft gun at a safe and legal location. In the event that you are approached by Law Enforcement personnel, you must comply with their instructions immediately to avoid an incident.

### **Alcohol, Medications, and Drugs**

Do not handle or operate your Airsoft gun while under the influence of alcohol, medication or drugs.

### **Your Responsibility**

Your Airsoft gun is well-engineered and manufactured to the highest standards. It was carefully inspected before it was packaged and shipped from our factory. Its safe use depends on you alone. You are the ultimate safety device. Like many other devices, your Airsoft gun is safe unless handled in an irresponsible or uneducated manner.



#### **WARNING:**

**- Adult supervision is required for any person under the age of 18.**

## SPECIFICATIONS: KM4A1

- Overall Length [Retracted] = 774.7 mm (30.5")
- Overall Length [Extended] = 857.3 mm (33.75")
- Outer Barrel Length = 355.6 mm (14")
- Inner Barrel Length = 395 mm (15.55")
- Inner Barrel Diameter = 6.05 mm
- Weight (without magazine) = 2.95 kg (6.5 lbs)
- Barrel thread = -14 mm
- Caliber = 6 mm
- Magazine Capacity = 120 rounds
- Rate of Fire = 20+ RPS
- Velocity = 118~125 MPS (390~410 FPS)\*
- Energy Output with 0.20g BB = 1.07 Joules
- Power Source: 9.6v NiMh, 7.4v or 11.1v 15c Li-Po

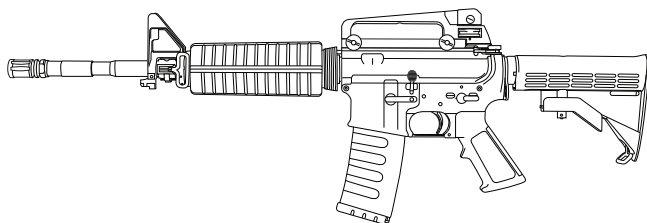
\*Individual test results may vary depending on brand of BBs, ambient temperature, and chronograph used.

### Special Features:

- Adjustable Front and Rear Sights
- 6 Position Collapsible LE Stock
- Fiber Reinforced Hand Guard
- Semi and Full Auto Select Fire
- KWA 2GX Gearbox
- KWA 2G High Performance Bucking
- Adjustable Hop-Up
- Full Metal Alloy Receivers
- Realistic Construction and Field Stripping

## PACKAGE CONTENTS: KM4A1

- |                         |                 |
|-------------------------|-----------------|
| 1 KM4A1 Airsoft Gun     | 1 Cleaning Rod  |
| 1 120 Round Magazine    | 1 Owners Manual |
| 1 Sight Adjustment Tool | 1 Safety Cap    |
| 2 Disassembly Tools     |                 |



### SPECIFICATIONS: KM4 CQB

- Overall Length [Retracted] = 673.1 mm (26.5")
- Overall Length [Extended] = 756.5 mm (29.75")
- Outer Barrel Length = 267 mm (10.5")
- Inner Barrel Length = 273 mm (10.75")
- Inner Barrel Diameter = 6.05 mm
- Weight (without magazine) = 2.49 kg (5.5 lbs)
- Barrel thread = -14 mm
- Caliber = 6 mm
- Magazine Capacity = 120 rounds
- Rate of Fire = 20+ RPS
- Velocity = 100~107 MPS (330~350 FPS)\*
- Energy Output with 0.20g BB = 1.07 Joules
- Power Source: 9.6v NiMH, 7.4v or 11.1v 15c Li-Po

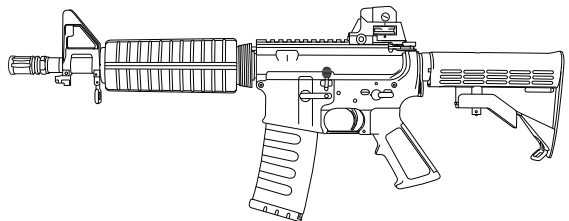
\*Individual test results may vary depending on brand of BBs, ambient temperature, and chronograph used.

#### Special Features:

- Adjustable Front and Rear Sights
- 6 Position Collapsible LE Stock
- Fiber Reinforced Hand Guard
- Semi and Full Auto Select Fire
- KWA 2GX Gearbox
- KWA 2G High Performance Bucking
- Adjustable Hop-Up
- Full Metal Alloy Receivers
- Realistic Construction and Field Stripping

### PACKAGE CONTENTS: KM4 CQB

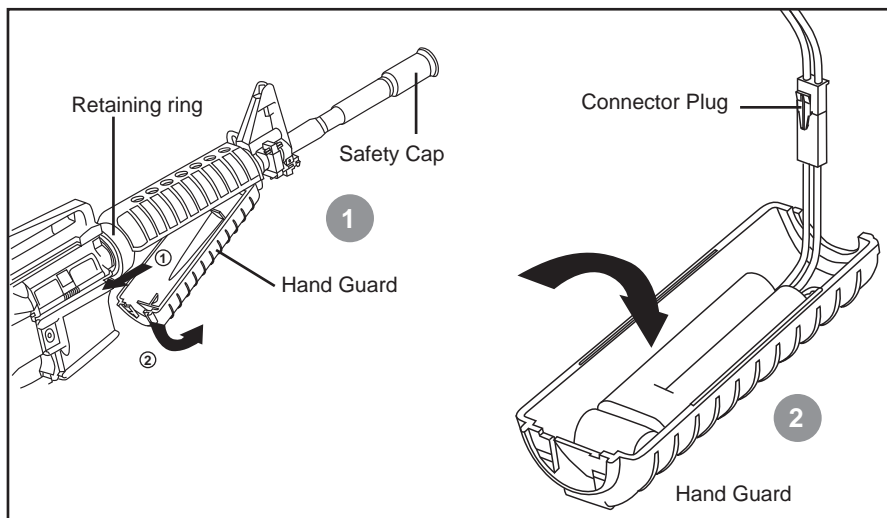
- |                         |                 |
|-------------------------|-----------------|
| 1 KM4 CQB Airsoft Gun   | 1 Cleaning Rod  |
| 1 120 Round Magazine    | 1 Owners Manual |
| 1 Sight Adjustment Tool | 1 Safety Cap    |
| 2 Disassembly Tools     |                 |





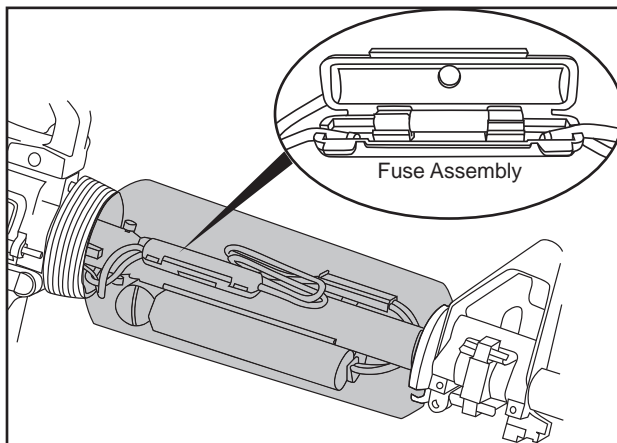
## BATTERY INSTALLATION

1. Set the fire selector to safe mode. Place the safety cap on the barrel end. Slide the retaining ring back and remove the lower part of the hand guard.
2. Place the battery into the lower half of the hand guard. Push the connector plugs together firmly until they click into place.
3. Replace the lower battery cover and slide the retaining ring back into place.



## FUSE

To replace the fuse, open the hand guard by following the same procedure as the battery installation. Open the fuse assembly and replace the fuse with a 20A glass fuse.



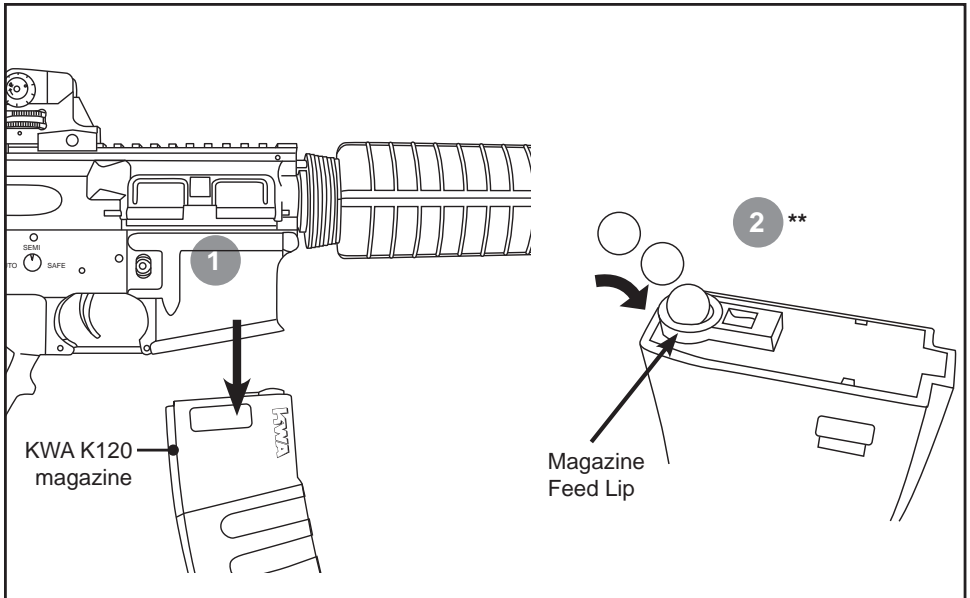
## LOADING BBS

1. Release the magazine from the Airsoft gun by pressing the magazine catch button.
2. Feed the BBs into the magazine through the magazine feed lip as shown.

**\*\*NOTE:** The use of a BB loader, such as the KWA High Performance BB Loader, can help make the loading process easier and faster. (See page 11)

### Loading safety tips:

- Switch the selector to safe
- Be sure the safety cap is on
- Keep your finger off the trigger at all times

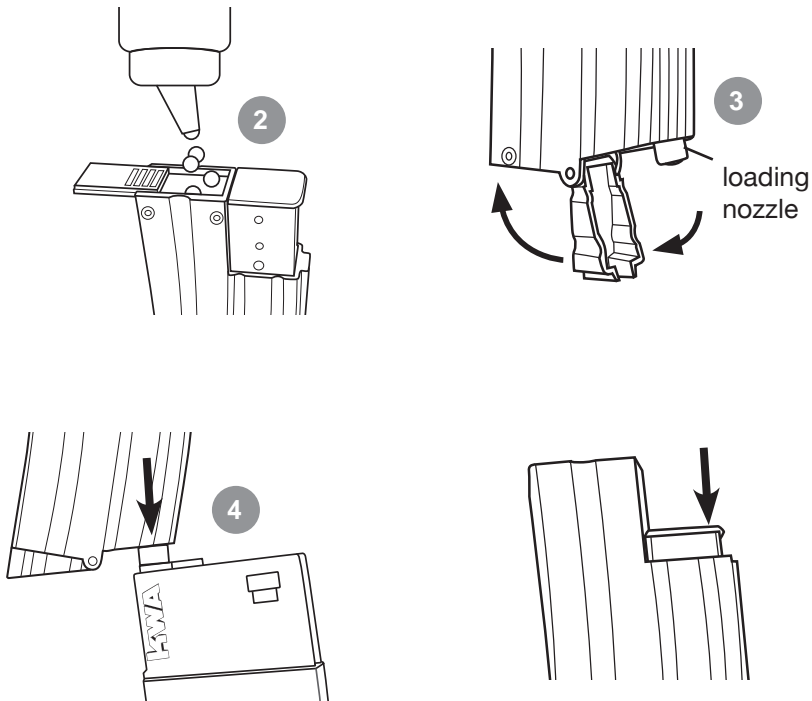


### WARNING:

- Always use high quality 6mm BBs, weighing 0.2g or heavier. For best results use 0.25g KWA Perfect BBs. Never use recycled or low grade BBs to prevent damage to your gun.
- KWA K120 magazines hold 120 rounds of BBs. DO NOT load more than 120 rounds into the magazine. Overloading will cause jamming issues.

**USING KWA HIGH PERFORMANCE BB LOADER (Purchase Separately)**

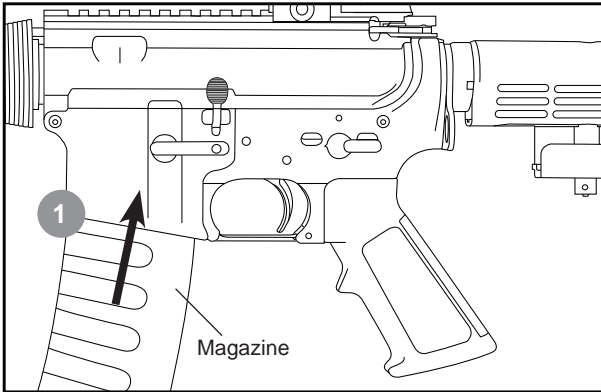
1. Release the magazine from the Airsoft gun by pressing the magazine release button.
2. Slide open the trap door on top of the BB loader. Fill the BB loader with BBs. \*Do Not Overfill.
3. Flip down the dust cover to reveal the loading nozzle.
4. Fit BB loader into the magazine feed lip.
5. Press on BB loader plunger to load BB into magazine.



**WARNING:** Always use high quality 6mm BBs, weight 0.2g or higher. For best result use 0.25g KWA Perfect BBs. Never use recycled or low grade BBs to prevent damage to your gun.

## LOADING MAGAZINE

1. Place the loaded magazine into the magazine well.
2. Lightly pull on the magazine to ensure it is locked in properly.



## FIRE SELECTOR SWITCH

### 1. Safe

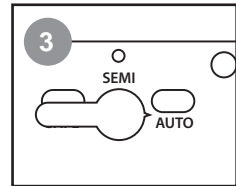
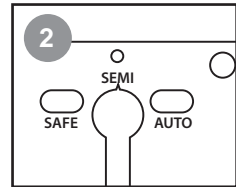
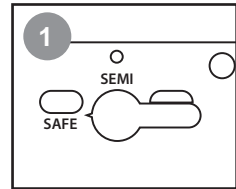
Safe mode is the setting to the left as indicated in the diagram. In this mode the gun will not fire. For safety reasons, you should keep the switch in Safe mode at all times when you are not ready to fire

### 2. Semi-Auto

Semi-Auto mode is the middle setting. In this mode the gun will fire one shot for each time you squeeze the trigger.

### 3. Full Auto

Full Auto mode is the setting to the right. In this mode the gun will fire continuously as long as the trigger is engaged.



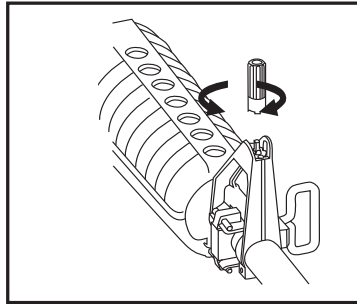
### WARNING:

- Do not squeeze the trigger when switching the fire selector.

## FRONT AND REAR SIGHT ADJUSTMENT

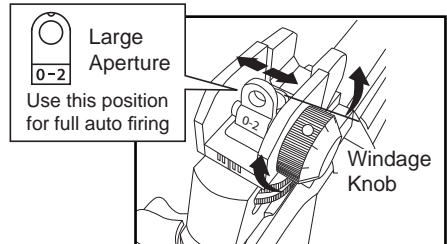
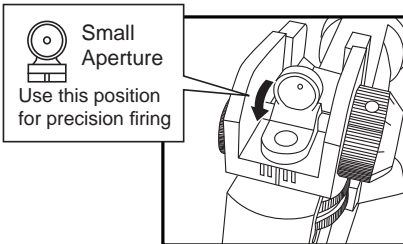
### FRONT SIGHT ADJUSTMENT

1. The front sight can be moved up and down to zero the sights.
2. Turn counter clockwise to raise the post.
3. Turn clockwise to lower the post.

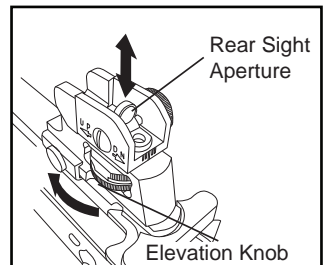
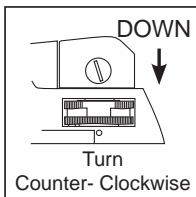
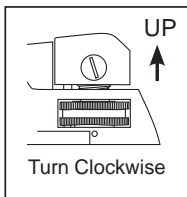


### REAR SIGHT ADJUSTMENT

1. Flip the rear sight between general and precision aiming.
2. To adjust the horizontal point of impact, rotate the windage knob located on the rear of the sight.
3. To adjust the vertical point of impact, rotate the sight elevation knob located on the left and right side of the sight.



The sight assembly is marked in millimeters for precise adjustments

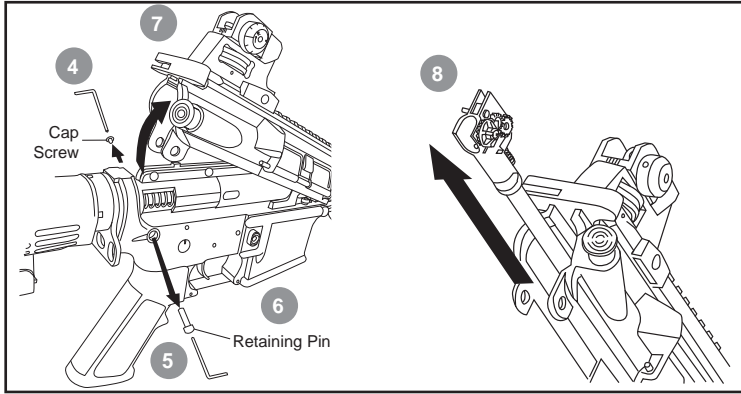


### WARNING:

-If turned too far, the front sight will come off.

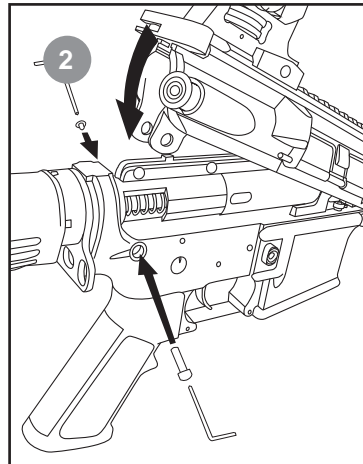
## DISASSEMBLY

1. Remove magazine.
2. Shoot in semi-automatic mode 2-3 times to clear the barrel and reset the piston.  
Note: Check and clear the chamber of BB's.
3. Set the selector to SAFE.
4. Remove the rear pin only from the lower receiver with the provided Allen wrenches.
5. Use 1 wrench to hold the cap screw and one to turn the set pin.
6. After removal of the cap screw, use the allen wrench to push the pin out.
7. Pull the upper receiver up.
8. Slide out the inner barrel with Hop-Up assembly.



## ASSEMBLY

1. Insert the inner barrel and Hop-Up assembly into the upper receiver.
2. Secure the Hop-Up assembly into the upper receiver. Push down the upper receiver to close.
3. Align the pin holes. Insert the pin and use the allen wrench to tighten the cap screw.



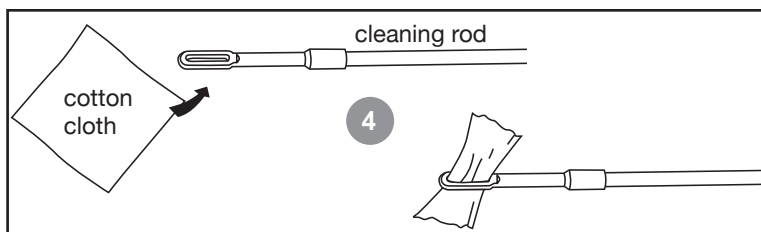
### WARNING:

- Always place the safety cap on the barrel tip when servicing your gun. Be sure the fire selector is set to "SAFE".
- If the receiver does not open, repeat step 2 as necessary.

## CLEANING

The Airsoft gun inner barrel should be cleaned after each shooting session. Regular cleaning prevents the effects of BB residue buildup that can hinder performance.

1. Ensure that the safety is engaged.
2. Remove the magazine and clear the chamber of loaded BBs.
3. Disassemble the receiver (see Disassembly section pg. 14).
4. Steps to use cleaning rod:
  - a. Cut a piece of clean cotton cloth to 1 inch by 0.5 inch size. Insert one end of the cloth into the hole in the cleaning rod (adjust the length of cloth for smooth entry into the barrel).
  - b. Wind the cloth around the cleaning rod.
  - c. Insert the cleaning rod into the inner barrel, and push the rod through.
  - d. Remove the cleaning rod and check the cotton cloth for dirt. Repeat a-c when necessary.



### WARNING:

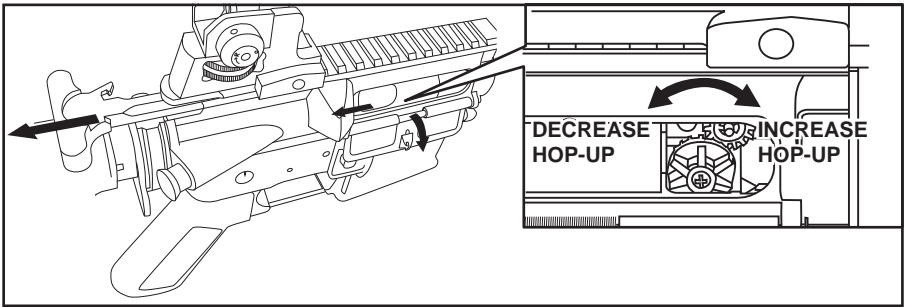
- Unload and clear the Airsoft gun before cleaning.
- DO NOT use spray silicone oil as a cleaning solution for the inner barrel.

## HOP-UP SYSTEM











The Hop-Up device is one of KWA's standard features, giving Airsoft BBs greater stability, further travel, and increased accuracy. Airsoft BBs are lightweight and can be affected by wind when fired. With the Hop-Up system, the trajectory of the Airsoft BBs can be adjusted according to the shooting environment or surroundings.

### HOP-UP ADJUSTMENT

1. Test fire the gun to determine the amount of hop needed.
2. Remove the magazine.
3. Pull the charging handle back to clear chamber and open the ejection port cover.
4. Turn the Hop-Up Dial to adjust hop.
5. Turn dial to the left for less hop, turn dial to the right for more hop.
6. Test fire and adjust as needed.



### HOP-UP ADJUSTMENT POINT

BB TRAJECTORY PATTERN		ADJUSTMENTS
	BB DROPS FREELY	 TURN KNOB TO RIGHT
	BB TRAVELS AT SHORT TRAJECTORY PATH	 TURN KNOB SLIGHTLY TO RIGHT
	BB TRAVELS DISTANCE AT FLAT TRAJECTORY PATH	 NO ADJUSTMENT MADE
	BB TRAVELS FLAT IN SHORT DISTANCE, THEN GOES UP IN CURVE AND DROPS FREELY	 TURN KNOB SLIGHTLY TO LEFT
	BB TRAVELS AT UNSTABLE SPEED AND IRREGULAR PATH	 TURN KNOB TO LEFT



#### WARNING:

- Do not release the charging handle while adjusting the hop.



## BASIC TROUBLESHOOTING GUIDE FOR RIFLES

SYMPTOMS	POSSIBLE CAUSE	SOLUTIONS
Airsoft gun is not firing	Selector set to Safe Mode	Select Semi-Auto or Full-auto Mode
	Motor damaged or bad connection	Return gun for professional care
	Pinched wiring	Return gun for professional care
Motor or battery is hot after use	Pinched wiring	Return gun for professional care
	Motor damaged or bad connection	Return gun for professional care
Semi-Auto feature not functioning	Incorrect timing	Dry fire on Full-Auto
High pitch or grinding noise	Gear may be damaged/ Motor level not adjusted	Return gun for professional care
BB double feeding/rolling out of barrel	Hop-Up unit is contaminated	Clean Hop-Up unit with cleaning rod
	Hop-Up unit may be damaged	Return gun for professional care
Inner barrel is jammed	Use of low quality/recycled BBs	Use KWA Perfect BBs or other high quality BBs
	Inner barrel is contaminated	Clean inner barrel with cleaning rod
	Inner barrel is damaged	Return gun for professional care

## OPERATING UNDER UNUSUAL CONDITIONS

Unusual conditions are defined as any condition requiring special maintenance. Perform maintenance outlined for the climate similar to your operational area.

### Extreme Cold:

Operating an Airsoft gas gun in extremely cold temperatures is not recommended. Cold temperatures will cause the Hop-up Bucking to harden, reducing its effectiveness. Gas will not expand properly in cold temperatures, so both the cycling rate and power will be dramatically reduced.

### Extreme Heat:

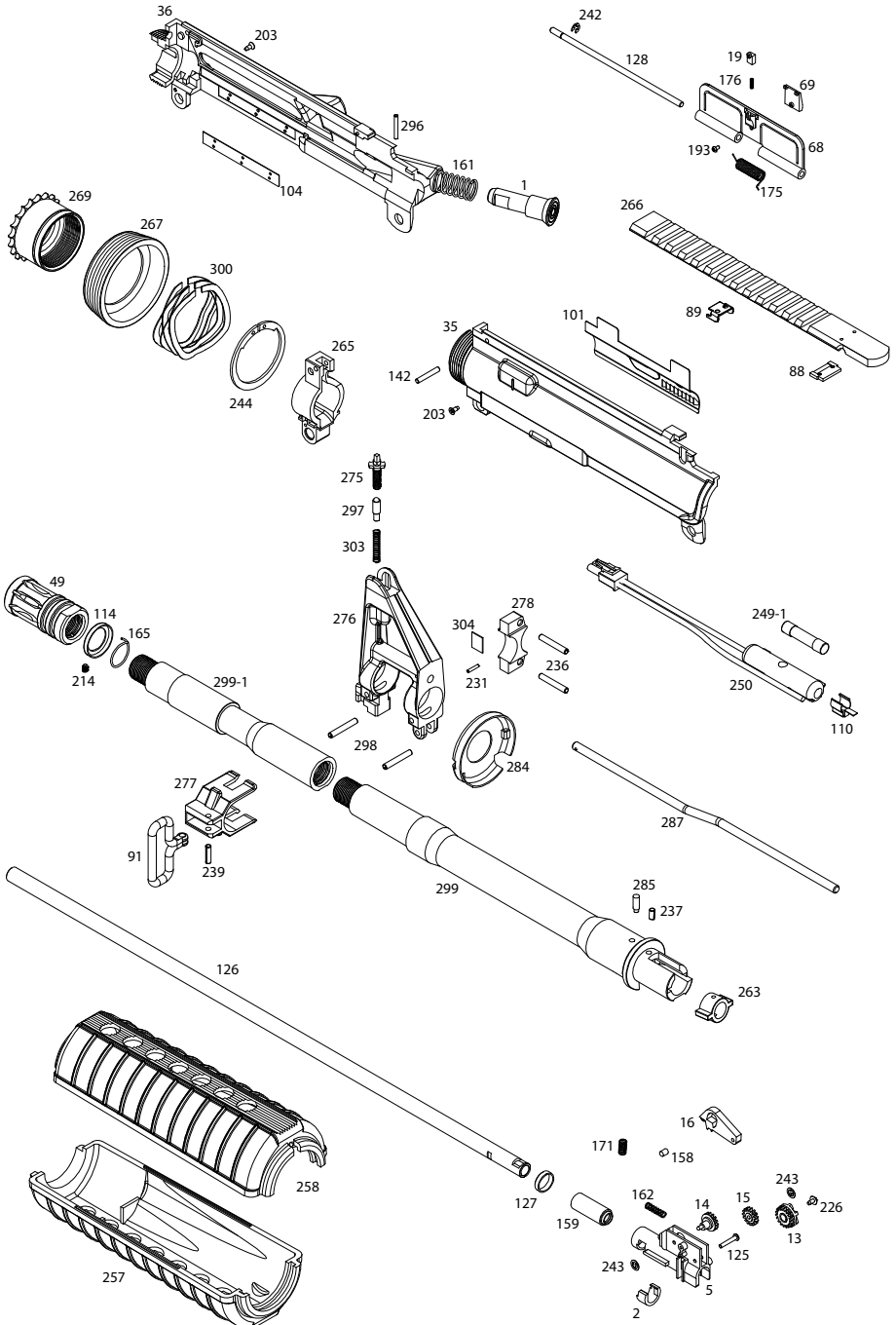
Operating an Airsoft gas gun in extremely hot temperatures is also not recommended. Leaving the gun in direct sunlight for long periods of time, or operating in extremely hot areas will cause the gas to over-expand, damaging the internal workings of the gun. The increase in internal pressure from the expanding gas can also damage the seals and cause leaks in the magazine.

### Dust or Sand:

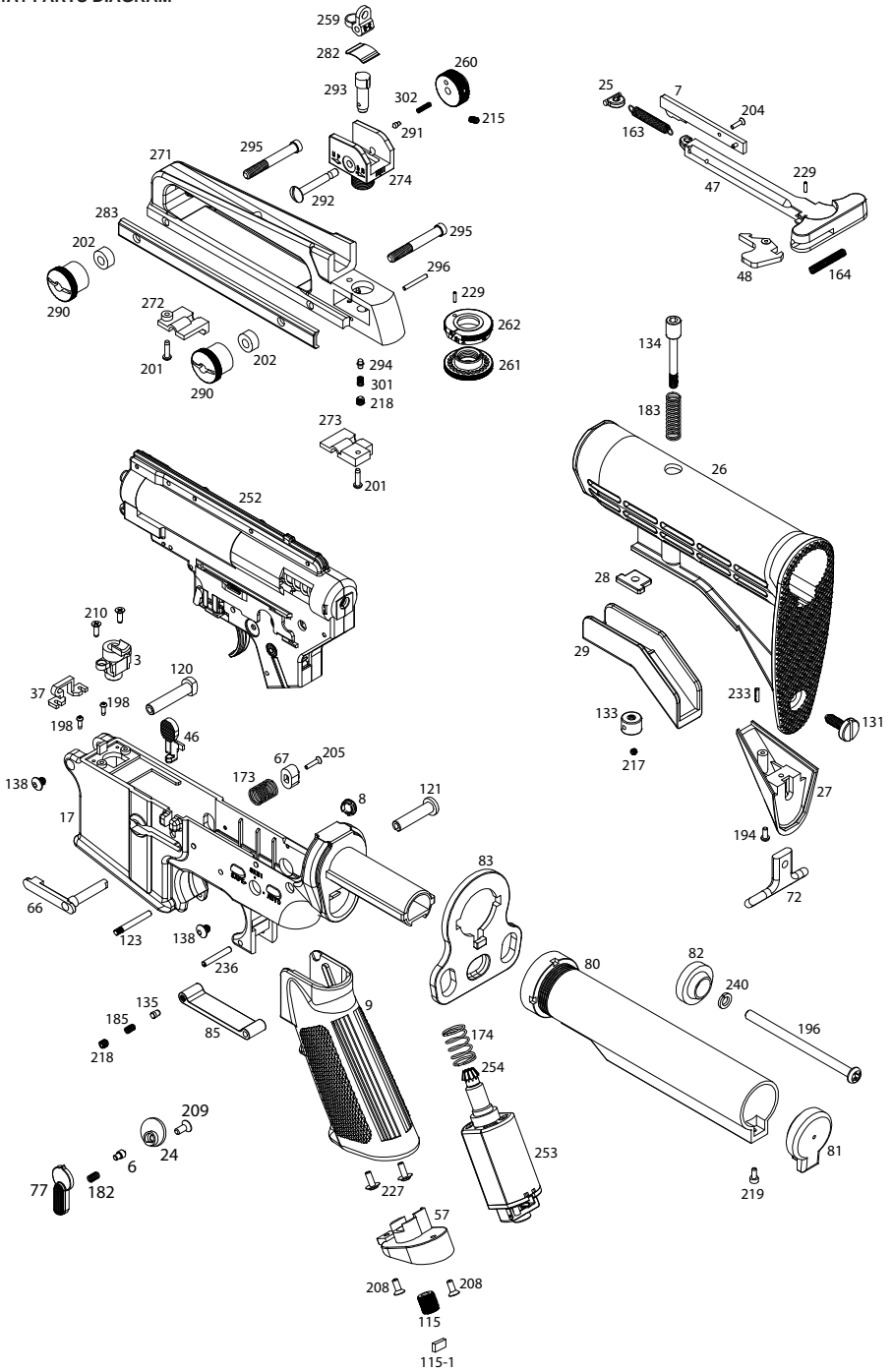
Dust or sand can get into a gas gun and cause malfunctions and/or excessive wear. Keep the gun covered whenever possible. Use lubricant sparingly, as lube naturally attracts dirt and other particles. After use in a dusty area, always field strip the gun (refer to Disassembly Section) and clean any areas you can reach with a soft, lint-free cloth.

# KM4 SERIES

## KM4A1 PARTS DIAGRAM



KM4A1 PARTS DIAGRAM



**KM4A1 PARTS LIST**

Parts #	Description
199-1002-1	Forward Assist Button
199-1002-2	Inner Barrel Retainer
199-1002-3	BB Ramp
199-1002-5	Hop-Up Housing
199-1002-6	Selector Lever Detent
199-1002-7	Bolt Plate Carrier
199-1002-8	Selector Cover
199-1002-9	Grip
199-1002-13	Hop-Up Adjustment Wheel
199-1002-14	Hop-Up Spindle (Small)
199-1002-15	Hop-Up Spindle (Large)
199-1002-16	Hop-Up Bar
199-1002-17	Lower Receiver
199-1002-19	Ejection Port Cover Lock Plunger
199-1002-24	Selector Plate
199-1002-25	Charging Handle Spring Hook
199-1002-26	Retracting Stock
199-1002-27	Swivel Cover
199-1002-28	Stock Latch Spacer
199-1002-29	Stock Lever
199-1002-35	Upper Receiver (Left)
199-1002-36	Upper Receiver (Right)
199-1002-37	Wire Holder
199-1002-46	Bolt Catch
199-1002-47	Charging Handle
199-1002-48	Charging Handle Latch
199-1002-49	Flash Hider
199-1002-57	Motor Cover Plate
199-1002-66	Magazine Catch
199-1002-67	Magazine Catch Button
199-1002-68	Ejection Port Cover
199-1002-69	Ejection Port Cover Lock
199-1002-72	Stock Swivel
199-1002-77	Selector
199-1002-80	Stock Tube
199-1002-81	Stock Tube Cap
199-1002-82	Stock Tube Retainer
199-1002-83	Receiver End Plate
199-1002-85	Trigger Guard
199-1002-88	Rail Retaining Block
199-1002-89	Top Rail Retainer
199-1002-91	Swivel Front
199-1002-101	Bolt Plate
199-1002-106	Dust Cover Retainer
199-1002-110	Power Supply Connector

Parts #	Description
199-1002-114	Flash Hider Washer
199-1002-115	Motor Adjustment Screw
199-1002-115-1	Adjustment Screw Spacer
199-1002-120	Take Down Pin (Front)
199-1002-121	Take Down Pin (Rear)
199-1002-123	Gearbox Set Pin
199-1002-125	Hop-Up Bar Pin
199-1002-126	Inner Barrel
199-1002-127	Inner Barrel Stabilizer Ring
199-1002-128	Ejection Port Cover Pin
199-1002-131	Stock Base Screw
199-1002-133	Lever Retainer Nut
199-1002-134	Stock Lever Pin
199-1002-135	Trigger Guard Lock Pin
199-1002-138	Receiver Pin Screws X 2
199-1002-142	Top Rail Pin
199-1002-158	Hop-Up Nub
199-1002-159	Hop-Up Bucking
199-1002-161	Forward Assist Button Spring
199-1002-162	Hop-Up Spring
199-1002-163	Charging Handle Spring
199-1002-164	Charging Handle Latch Spring
199-1002-165	Flash Hider Spring
199-1002-171	Hop-Up Bar Spring
199-1002-173	Magazine Catch Spring
199-1002-174	Motor Tension Spring
199-1002-175	Ejection Port Cover Spring
199-1002-176	Ejection Port Cover Lock Spring
199-1002-182	Selector Spring
199-1002-183	Stock Bolt Spring
199-1002-185	Trigger Guard Plunger Spring
199-1002-193	Ejection Port Cover Screw
199-1002-194	Swivel Cover Screw
199-1002-196	Stock Bolt
199-1002-198	Wire Clamp Screws X 2
199-1002-201	Carry Handle Lock Screws X 2
199-1002-202	Sight Knob Spacer
199-1002-203	Rail Retainer Screw
199-1002-204	Bolt Plate Carrier Screw
199-1002-205	Magazine Catch Screw
199-1002-208	Motor Plate Screws X 2 "Metric"
199-1002-209	Selector Screw
199-1002-210	BB Ramp Screws X 2
199-1002-214	Flash Hider/Stock Retainer Nut Screw
199-1002-215	Windage Knob Set Screw

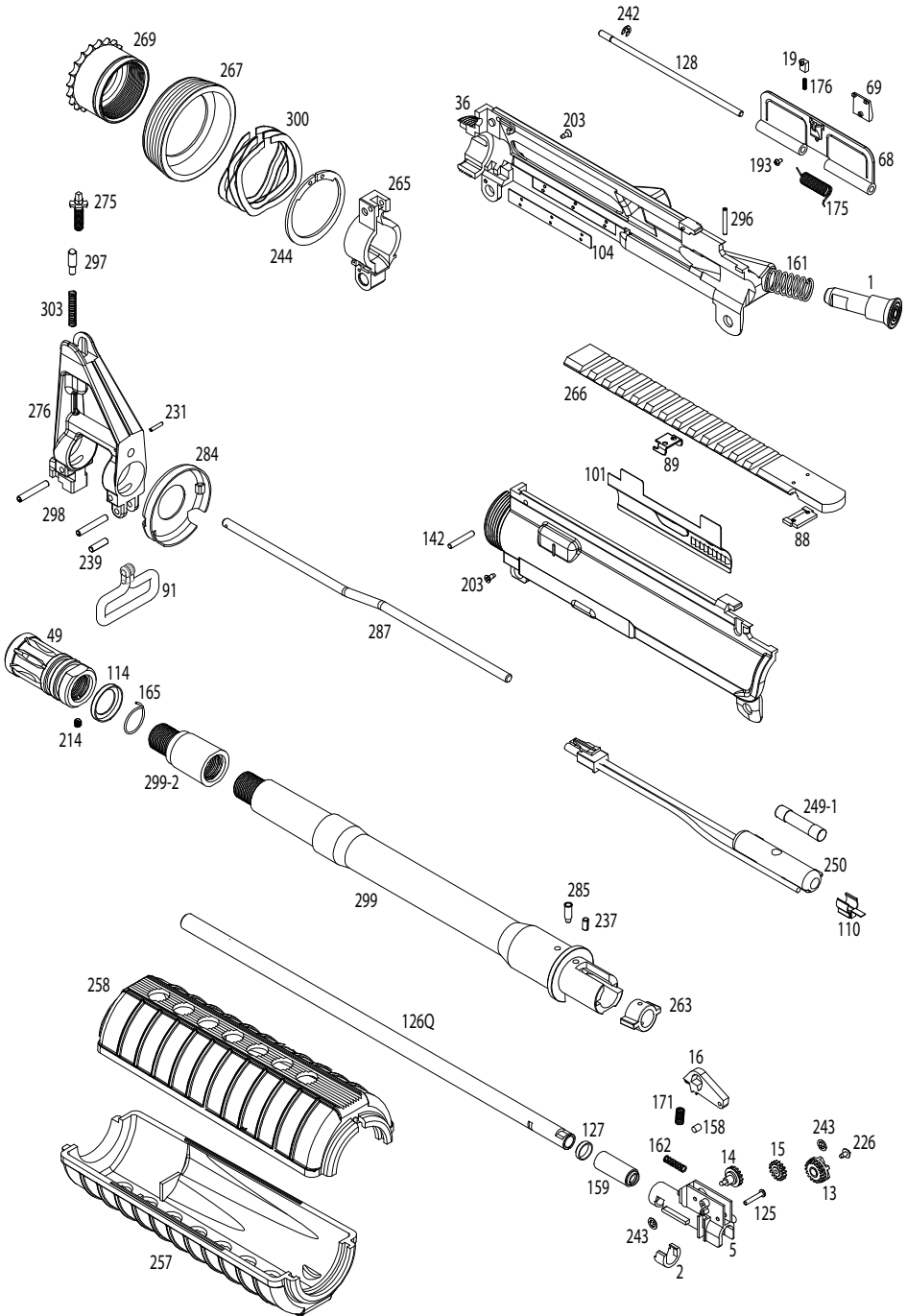
## KM4A1 PARTS LIST (Continued)

Parts #	Description
199-1002-218	Trigger Guard Set
199-1002-219	Cap Set Screw
199-1002-226	Hop-Up Wheel Screw
199-1002-227	Grip Screws X 2
199-1002-229	Charging Handle Latch Pins X 2
199-1002-231	Gas Tube Pin
199-1002-233	Swivel Cover Pin
199-1002-234	Forward Assist Button Pin
199-1002-236	Trigger Guard Roll Pin
199-1002-237	Barrel Base Pins (Small)
199-1002-239	Front Swivel Pin
199-1002-240	Stock Bolt Washer
199-1002-242	Pin Retaining Ring
199-1002-243	Hop-Up Spindle Rings X 2
199-1002-244	Delta Ring Locking Clamp
199-1002-249	Fuse
199-1002-250	Power Supply Wire
199-1002-252	Gear Box Assembly
199-1002-253	Motor
199-1002-254	Motor Pinion Gear
199-1002-257	Lower Hand Guard
199-1002-258	Top Hand Guard
199-1002-259	Rear Sight
199-1002-260	Windage Knob
199-1002-261	Elevation Knob Dial Base
199-1002-262	Elevation Knob Dial
199-1002-263	Inner Barrel Stabilizer
199-1002-265	Barrel Assembly Block
199-1002-266	Top Rail
199-1002-267	Delta Ring

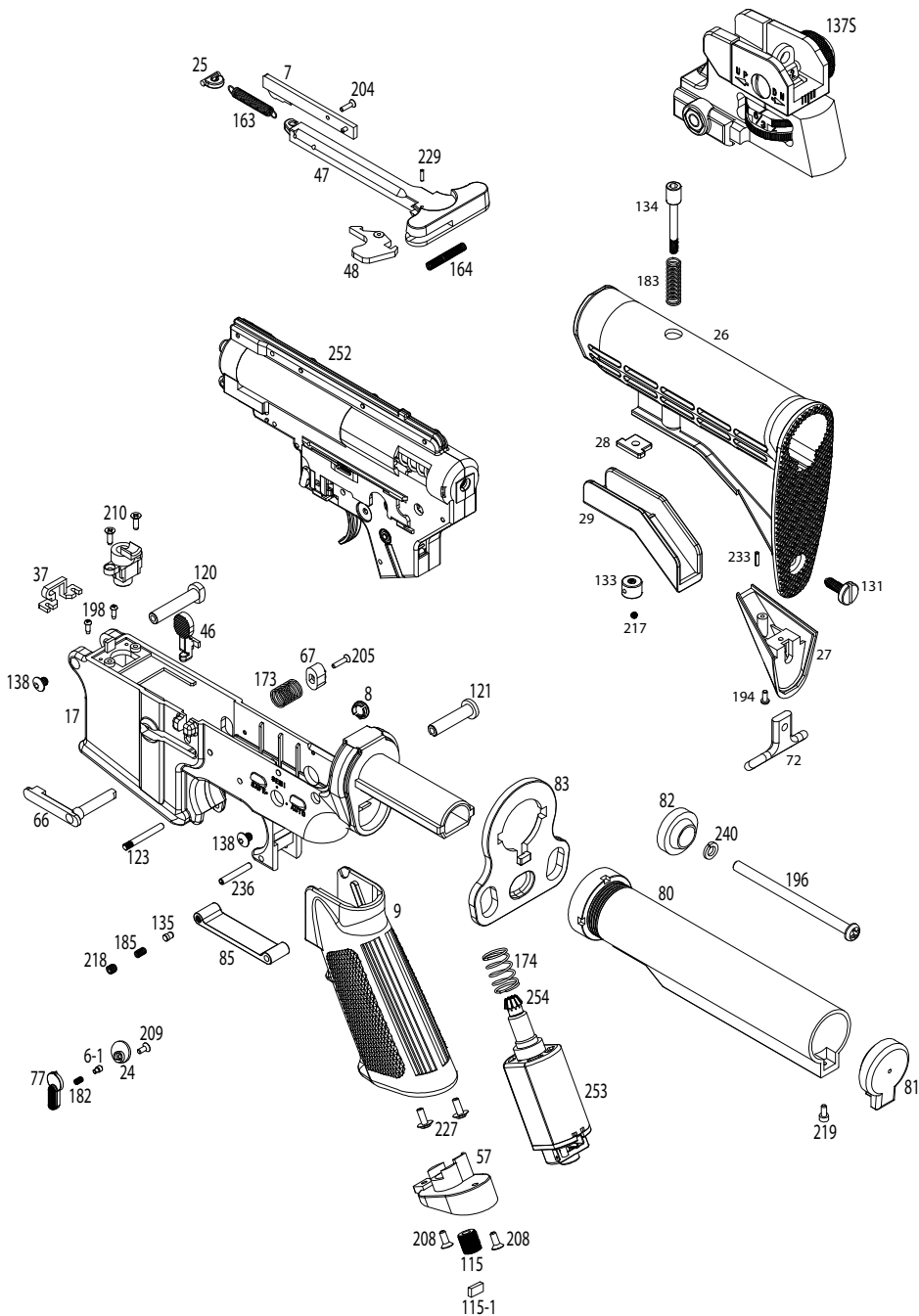
Parts #	Description
199-1002-269	Barrel Nut
199-1002-271	Carry Handle
199-1002-272	Carry Handle Lock Front "A"
199-1002-273	Carry Handle Lock Rear "B"
199-1002-274	Rear Sight Housing Base
199-1002-275	Front Sight Post
199-1002-276	Front Sight Housing Base
199-1002-277	Swivel Base
199-1002-278	Swivel Base Lock
199-1002-282	Rear Sight Plate Spring
199-1002-283	Carry Handle Locking Plate
199-1002-284	Hand Guard End Cap
199-1002-285	Barrel Base Pin (Large)
199-1002-287	Gas Tube
199-1002-290	Carry Handle Knobs X 2
199-1002-291	Windage Knob Plunger
199-1002-292	Rear Sight Windage Screw
199-1002-293	Elevation Bar
199-1002-294	Rear Sight Elevation Plunger
199-1002-295	Carry Handle Bolts X 2
199-1002-296	Elevation Knob Pin
199-1002-297	Front Sight Plunger
199-1002-298	Front Sight Housing Pins X 2
199-1002-299	Outer Barrel (Rear)
199-1002-299-1	Outer Barrel (Front KM4A1)
199-1002-300	Hand Guard Lock Spring
199-1002-301	Rear Sight Elevation Spring
199-1002-302	Windage Knob Spring
199-1002-303	Front Sight Spring
199-1002-304	Swivel Mount Spacer

# KM4 SERIES

## KM4 CQB PARTS DIAGRAM



KM4 CQB PARTS DIAGRAM



**KM4 CQB PARTS LIST**

Parts #	Description
199-1002-1	Forward Assist Button
199-1002-2	Inner Barrel Retainer
199-1002-3	BB Ramp
199-1002-5	Hop-Up Housing
199-1002-6	Selector Lever Detente
199-1002-7	Bolt Plate Carrier
199-1002-8	Selector Cover
199-1002-9	Grip
199-1002-13	Hop-Up Adjustment Wheel
199-1002-14	Hop-Up Spindle (Small)
199-1002-15	Hop-Up Spindle (Large)
199-1002-16	Hop-Up Bar
199-1002-17	Lower Receiver
199-1002-19	Ejection Port Cover Lock Plunger
199-1002-24	Selector Plate
199-1002-25	Charging Handle Spring Hook
199-1002-26	Retracting Stock
199-1002-27	Swivel Cover
199-1002-28	Stock Latch Spacer
199-1002-29	Stock Lever
199-1002-35	Upper Receiver (Left)
199-1002-36	Upper Receiver (Right)
199-1002-37	Wire Holder
199-1002-46	Bolt Catch
199-1002-47	Charging Handle
199-1002-48	Charging Handle Latch
199-1002-49	Flash Hider
199-1002-57	Motor Cover Plate
199-1002-66	Magazine Catch
199-1002-67	Magazine Catch Button
199-1002-68	Ejection Port Cover
199-1002-69	Ejection Port Cover Lock
199-1002-72	Stock Swivel
199-1002-77	Selector
199-1002-80	Stock Tube
199-1002-81	Stock Tube Cap
199-1002-82	Stock Tube Retainer
199-1002-83	Receiver End Plate
199-1002-85	Trigger Guard
199-1002-88	Rail Retaining Block
199-1002-89	Top Rail Retainer
199-1002-91	Swivel Front
199-1002-101	Bolt Plate
199-1002-104	Dust Cover Retainer
199-1002-110	Power Supply Connector

Parts #	Description
199-1002-114	Flash Hider Washer
199-1002-115	Motor Adjustment Screw
199-1002-115-1	Adjustment Screw Spacer
199-1002-120	Take Down Pin (Front)
199-1002-121	Take Down Pin (Rear)
199-1002-123	Gearbox Set Pin
199-1002-125	Hop-Up Bar Pin
199-1002-126Q	Inner Barrel (CQB)
199-1002-127	Inner Barrel Stabilizer Ring
199-1002-128	Ejection Port Cover Pin
199-1002-131	Stock Base Screw
199-1002-133	Lever Retainer Nut
199-1002-134	Stock Lever Pin
199-1002-135	Trigger Guard Lock Pin
199-1002-137S	Rear Sight Assembly
199-1002-138	Receiver Pin Screws X 2
199-1002-158	Hop-Up Nub
199-1002-159	Hop-Up Bucking
199-1002-161	Forward Assist Button Spring
199-1002-162	Hop-Up Spring
199-1002-163	Charging Handle Spring
199-1002-164	Charging Handle Latch Spring
199-1002-165	Flash Hider Spring
199-1002-171	Hop-Up Bar Spring
199-1002-173	Magazine Catch Spring
199-1002-174	Motor Tension Spring
199-1002-175	Ejection Port Cover Spring
199-1002-176	Ejection Port Cover Lock Spring
199-1002-182	Selector Spring
199-1002-183	Stock Bolt Spring
199-1002-185	Trigger Guard Plunger Spring
199-1002-193	Ejection Port Cover Screw
199-1002-194	Swivel Cover Screw
199-1002-196	Stock Bolt
199-1002-198	Wire Clamp Screws X 2
199-1002-203	Rail Retainer Screw
199-1002-204	Bolt Plate Carrier Screw
199-1002-205	Magazine Catch Screw
199-1002-208	Motor Plate Screws X 2 "Metric"
199-1002-209	Selector Screw
199-1002-210	BB Ramp Screws X 2
199-1002-214	Flash Hider/Stock Retainer Nut Screw
199-1002-218	Trigger Guard Set Screw
199-1002-219	Cap Set Screw
199-1002-226	Hop-Up Wheel Screw

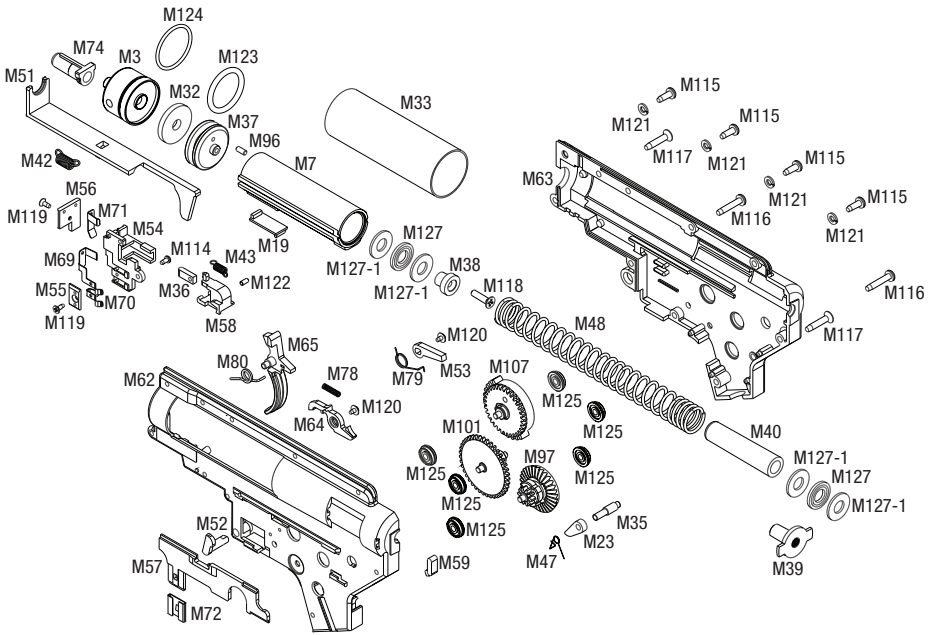


## KM4 CQB PARTS LIST (Continued)

Parts #	Description
199-1002-227	Grip Screws X 2
199-1002-229	Charging Handle Latch Pin
199-1002-231	Gas Tube Pin
199-1002-233	Swivel Cover Pin
199-1002-236	Trigger Guard Roll Pin
199-1002-237	Barrel Base Pin (Small)
199-1002-238	Top Rail Pin
199-1002-239	Front Swivel Pins X 2
199-1002-240	Stock Bolt Washer
199-1002-242	Pin Retaining Ring
199-1002-243	Hop-Up Spindle Rings X 2
199-1002-244	Delta Ring Locking Clamp
199-1002-249	Fuse
199-1002-250	Power Supply Wire
199-1002-252	Gear Box Assembly
199-1002-253	Motor
199-1002-254	Motor Pinion Gear
199-1002-257	Lower Hand Guard
199-1002-258	Top Hand Guard

Parts #	Description
199-1002-263	Inner Barrel Stabilizer
199-1002-265	Barrel Assembly Block
199-1002-266	Top Rail
199-1002-267	Delta Ring
199-1002-269	Barrel Nut
199-1002-275	Front Sight Post
199-1002-276	Front Sight Housing Base
199-1002-277	Swivel Base
199-1002-278	Swivel Base Lock
199-1002-284	Hand Guard End Cap
199-1002-285	Barrel Base Pin (Large)
199-1002-287	Gas Tube
199-1002-297	Front Sight Plunger
199-1002-298	Front Sight Housing Pins X 2
199-1002-299	Outer Barrel (Rear)
199-1002-299-2	Outer Barrel (CQB Front)
199-1002-300	Hand Guard Lock Spring
199-1002-303	Front Sight Spring
199-1002-304	Swivel Mount Spacer

KWA 2GX GEARBOX PARTS DIAGRAM

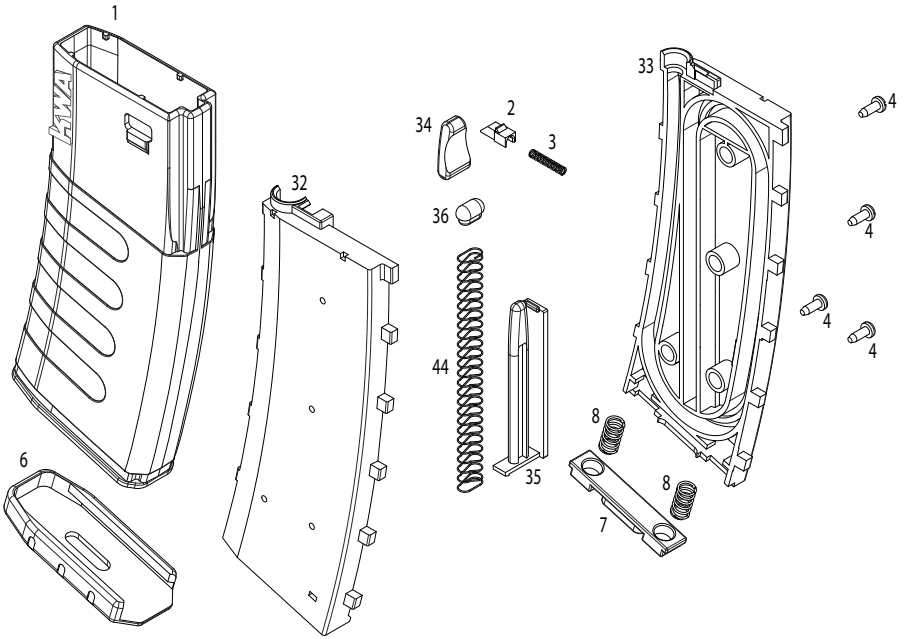


Parts #	Description
2GX.V2-M3	Gearbox Cylinder Head
2GX.V2-M7	Gearbox Piston
2GX.V2-M19	Gearbox Piston Metal Plate
2GX.V2-M23	Anti-Reverse Latch
2GX.V2-M32	Gearbox Cylinder Head Buffer
2GX.V2-M35	Gearbox Cylinder
2GX.V2-M36	Gearbox Trigger Switch Contact Plate
2GX.V2-M37	Gearbox Piston Head
2GX.V2-M38	Gearbox Piston Head End Cap
2GX.V2-M39	Gearbox Spring Guide End Cap
2GX.V2-M40	Gearbox Spring Guide Rod
2GX.V2-M42	Gearbox Tappet Plate Spring
2GX.V2-M43	Gearbox Trigger Switch Return Spring
2GX.V2-M47	Gearbox Anti-Reversale Latch Spring
2GX.V2-M48	Gearbox Main Spring, M120
2GX.V2-M51	Gearbox Tappet Plate
2GX.V2-M52	Gearbox Safety Lever Base
2GX.V2-M53	Gearbox Safety Lever

Parts #	Description
2GX.V2-M54	Gearbox Wire Harness Base
2GX.V2-M55	Gearbox Power Bridge Plate
2GX.V2-M56	Gearbox Switch Bridge Plate
2GX.V2-M57	Gearbox Selector Plate
2GX.V2-M58	Gearbox Trigger Switch Block
2GX.V2-M59	Gearbox Wire Retainer
2GX.V2-M62	Gearbox Mechbox Shell (Left)
2GX.V2-M63	Gearbox Mechbox Shell (Right)
2GX.V2-M64	Gearbox Cut-off Lever
2GX.V2-M65	Gearbox Trigger
2GX.V2-M69	Gearbox Trigger Switch Brush / Power Out
2GX.V2-M70	Gearbox Power Cut-off Brush
2GX.V2-M71	Gearbox Trigger Switch Brush / Power In
2GX.V2-M72	Gearbox Selector Plate Contact
2GX.V2-M74	Gearbox Air Nozzle
2GX.V2-M78	Gearbox Cut-off Lever Spring
2GX.V2-M79	Gearbox Safety Lever Spring
2GX.V2-M80	Gearbox Trigger Spring
2GX.V2-M96	Gearbox Piston Head Set Screw

Parts #	Description
2GX.V2-M97	Gearbox Bevel Gear
2GX.V2-M101	Gearbox Spur Gear
2GX.V2-M107	Gearbox Sector Gear
2GX.V2-M114	Gearbox Wire Harness Base Screw
2GX.V2-M115	Gearbox Mechbox Screw
2GX.V2-M116	Gearbox Mechbox Screw
2GX.V2-M117	Gearbox Mechbox Screw
2GX.V2-M118	Gearbox Piston Head Screw
2GX.V2-M119	Gearbox Wire Harness Base Screw
2GX.V2-M120	Gearbox Cut-off Lever Screw
2GX.V2-M121	Gearbox Mechbox Screw Locking Washer
2GX.V2-M122	Gearbox Trigger Switch Pin
2GX.V2-M123	Gearbox Piston Head O-Ring
2GX.V2-M124	Gearbox Cylinder Head O-Ring
2GX.V2-M125	Gearbox 9mm Bearing Bushing
2GX.V2-M127	Gearbox Piston Grooved Washer
2GX.V2-M127-1	Gearbox Spring Guide Flat Washer

K120 MAGAZINE PARTS DIAGRAM



Part #	Description
1	MAGAZINE BODY
2	MAGAZINE BB STOP
3	MAGAZINE BB STOP SRPING
4	MAGAZINE HOUSING SCREW
6	MAGAZINE BASE PLATE
7	MAGAZINE BASE PLATE STOP
8	MAGAZINE BASE PLATE SPRINGS
32	MAGAZINE HOUSING (LEFT PANEL)
33	MAGAZINE HOUSING (RIGT PANEL)
34	MAGAZINE FOLLOWER
35	MAGAZINE FOLLOWER GUIDE
36	MAGAZINE FOLLOWER LINK
44	MAGAZINE FOLLOWER SPRING

**KWA Performance Industries, Inc.**

18571 E. Gale Ave.

City of Industry, CA 91748

T: (626) 581-1777 • F: (626) 581-0777

[WWW.KWAUSA.COM](http://WWW.KWAUSA.COM)