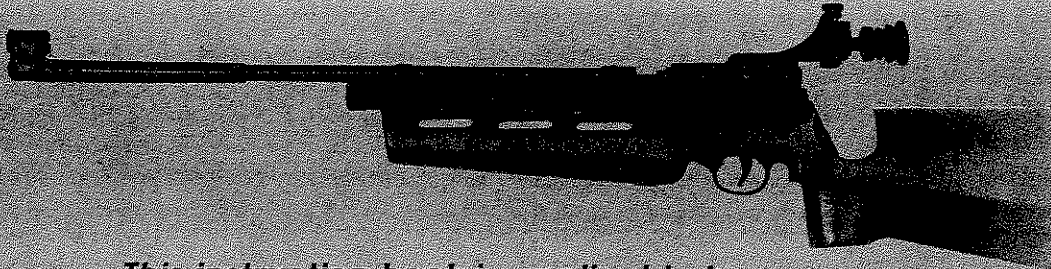


工字牌



INSTRUCTIONS FOR OPERATION



This instruction book is applicable to
QB78, QB79, AR2078, AR2078A, AR2079 AND AR2079A

Made in China

Welcome to choose CO₂ air rifle. It is very easy to operate and has advantages of slight shock and high accuracy. Please read the instruction book carefully and you will get the best shooting result.

Warning:

- Not a toy. Carelessly use or misoperation may cause personal injury.
- No matter where and when, the muzzle is not allowed to aim at anybody.
- When pellet loaded, never lean your rifle against the wall, tree or any other moveable object that could cause the rifle to fall.
- Don't open the safety device when you are not ready to shoot.
- The buyer and the user have the duty to obey all the laws of the countries (areas).

Functions (Caliber 4.5mm)

Model	Initial Velocity (fps)	Over Length (mm)	Barrel Length (mm)	Weight (kg)	Volume (cm ³)	Rated inflation (g)
QB78	650	970	560	2.6	44.5
QB79	650	970	560	2.2	110
AR2078/AR2078A	650	1015/970	560	4	44.5
AR2079/AR2079A	650	1015/970	560	3.3	110

QB79, AR2079 and AR2079A are not equipped with CO₂ tanks.

Muzzle velocity is the average value tested below the ambient temperature of 25°C for 4.5mm air rifle.

Basic Knowledge:

CO₂ Air Rifle & CO₂ Tank

The rifle which adopts CO₂ as its power will get a slow pellet initial velocity when the temperature is below 10°C because CO₂ can only be used at the temperature between 10°C to 38°C; When the temperature is more than 38°C, pressure in the tank will become so high that the hammer has no enough power to open the valve effectively and the fire result will be debased. The initial velocity of the rifle is related to the temperature. It is normal that different temperature can cause different velocity. CO₂ absorbs much heat when it is released, so the rifle should not be fired continuously. In order to keep the coherence of the initial velocity, every two firing interval time has to be more than ten seconds.

Warning: Make sure the air cylinder should be stored without any air. The CO₂ air tank should be stored and transported at the temperature below 54°C.

Warning: Any gun which is filled with air or CO₂ air tank can not approach to the heat source or be basked directly, also they can not be stored inside sealed devices under high temperature in summer, such as the sedan's trunk. If they are heated, the internal pressure will be very high, and there will be explosion danger.

Warning: The valve is forbidden to be discharged when the tank is full of gas; the cover of cylinder is forbidden to be discharged when the cylinder is full of gas, because the power for the parts dashing out is as strong as that of a pellet.

Product Advantages

1. Air Supply There are two kinds of air supply: One kind of air supply is the gas storage cylinder, which is equipped with the rifle itself. After filling the cylinder with two little 12g CO₂ tanks, you can shoot, such as air rifle QB78, AR2078, AR2078A. The other kind of air supply is the outer tank, which is not equipped with the rifle itself, such as QB79, AR2079, and AR2079A.

2. Acquisitions of Air Supply There are two ways to get the air supply for the rifles mentioned in this instruction book. One way is to insert the little standard 12g CO₂ tank into the gas storage cylinder, such as QB78, AR2078 and AR2078A. The second way is to switch the appropriate tank with the rifle adapter directly and then you can take the gas out from the tank directly, (such as the φ50,9 OZ tank from paintball marker) such as QB79, AR2079 and AR2079A.

3. Product Grades According to their appearance, the rifles mentioned in this book are divided into three grades: simple rifle such as QB78, QB79; grand rifle such as AR2078, AR2079 and competition rifle such as AR2078A, AR2079A.

Operation:

Rifles mentioned in this book can be easily operated. If you don't have any knowledge on this aspect, please ask for help from the experiential person or from the sellers. Before using the rifle, please read the instruction book carefully.

- **Way to install little 12g CO₂ tank**

Little 12g CO₂ tank can be installed into QB78, AR2078 and AR2078A. Screw off the cover of the cylinder and load two 12g CO₂ tanks back to back into the cylinder and screw the cover. When cover is tightly screwed, screw it in the reverse direction, and you will feel some resistance. This proves that cylinder is full of CO₂. (Fig.1)

- **Way to connect with the tank**

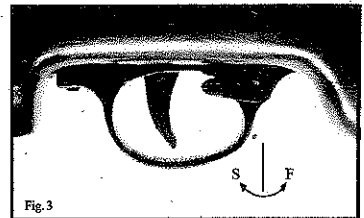
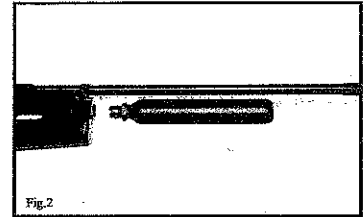
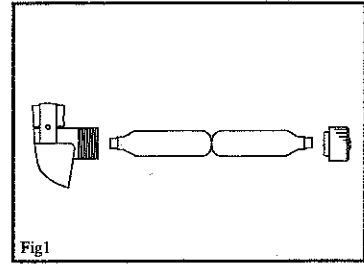
QB79, AR2079 and AR2079A are not equipped with air storage device, but it is supplied with standard G1/2 tank connecting device, which can be connected with the tank from the paintball marker, such as ϕ 50-90Z CO₂ tank. Twist the tank into the adapter and then you can use. (Fig.2)

- **Loading a Pellet**

Hold the rifle with your left hand. Pull the bolt backward with your right hand until the piston hooks on the trigger and then load the pellet into the chamber. Finally lock the operating arm in its original position.

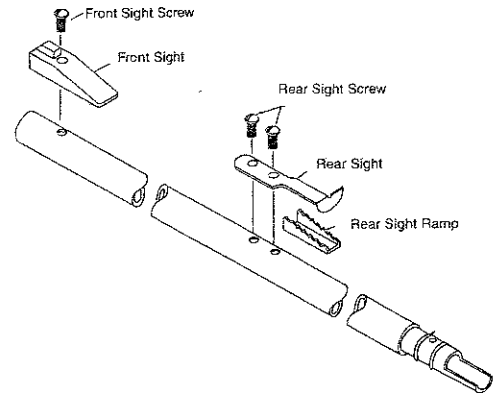
- **Safety Device**

Rifles mentioned in this book are designed with safety device. When you are ready to shoot, please point the safety to F end, otherwise please point the safety to S end. (Fig.3)



Notes for QB78 and QB79

- Front sight, wooden stock and the scale of QB78 are different from those of AR2078 and AR2078A. The constructions of QB78 are just as the sketch map (without wooden stock).
- Front sight, wooden stock and the scale of QB79 are different from those of AR2079 and AR2079A. The constructions of QB79 are the same with those of QB78.
- The triggers of QB78 and QB79 are monolithic, which are different from No.4701.



Maintenance

After using, please wipe the dirt off from all the parts that need to be cleaned including the surface, inner body and the cover of the cylinder. In order to prevent these parts from rusting, please drop some light machine oil onto them.

Barrels of rifles are high accuracy parts, so in order to prevent the chamber from damage, you should shoot with good pellets instead of inferior ones.

When rifles are broken down, please try to take the pellet out first with a push rod and then examine and repair it.

Attention: All the designs of the rifles will be improved when we need better quality, and the functions of the products will accordingly be advanced, so maybe there will be a little change in the structures and the shapes of all the spare parts. Please note this point.