

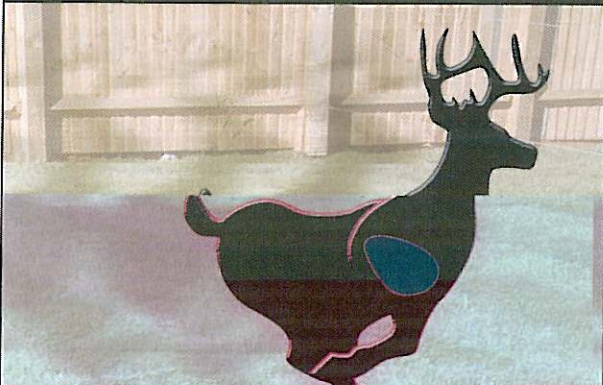


Adult precision airguns

MTS 1000™

Moving Target System

Instruction Manual



MOVING TARGET SYSTEM

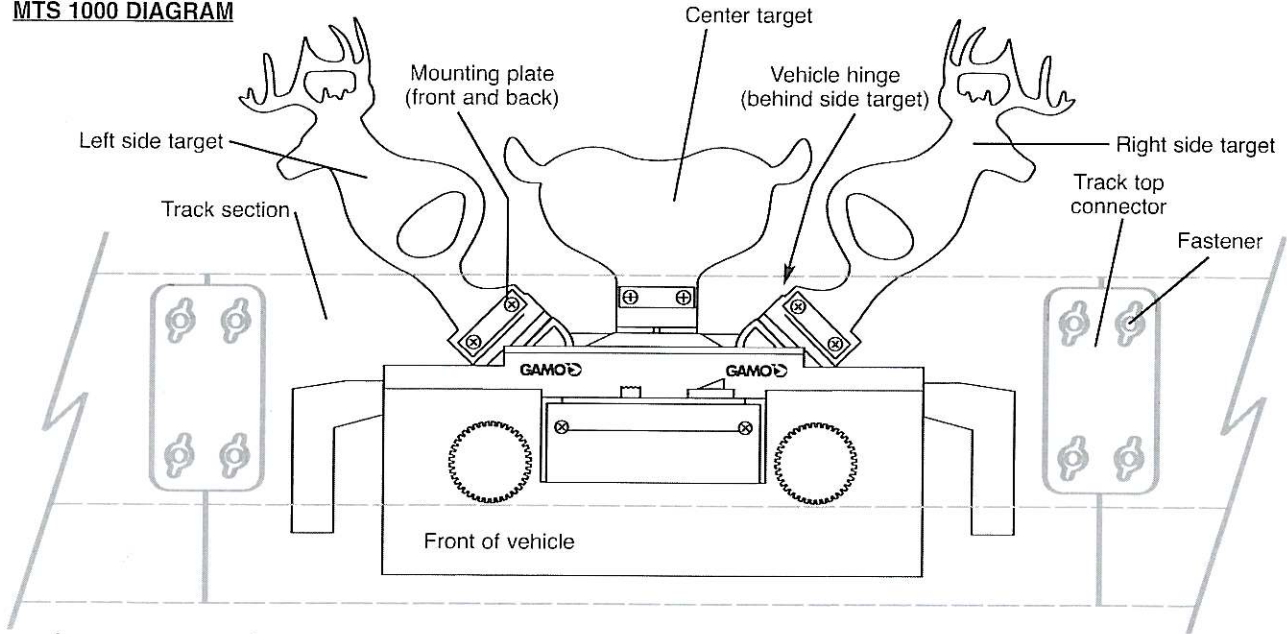


WARNING:

The MTS 1000 is designed for use with airguns not exceeding 1000 fps and with .177 Cal. lead pellets only. GAMO airguns are recommended for adult use only. Misuse or careless use of an airgun may cause serious injury, especially to the eye. Eye protection must be worn by the user and any person within range. Read owner's manual before using.

6 "C" batteries required (not included).

MTS 1000 DIAGRAM

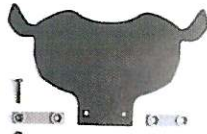


Part#MTS01



Part#MTS02

Left and right targets, mounting plates (4), nuts and bolts (4)



Part#MTS03

Center target, mounting plates (2), nuts and bolts (2)



Part#MTS04

Vehicle

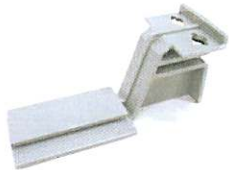


Part#MTS05

Left reset rail

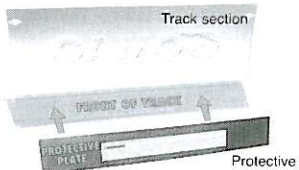
Part#MTS06

Right reset rail



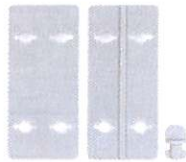
Part#MTS07

5 bottom track connectors



Part#MTS08

Track sections (6), Protective metal plates (6)



Part#MTS09

Track top connector (), fastener (36 + 5 extra)



Part#MTS10

Left track end

Part#MTS11

Right track end

The silhouette and (or) other parts will wear after use and will need to be replaced. For more fun, you can extend the track length by adding more track sections.

To order parts in the USA go to: www.gamoussa.com, or call:(954) 821- 5674
For international orders go to: www.gamo.com

INTRODUCTION

Congratulations on your purchase of the new MTS 1000 Moving Target System! To set up the MTS 1000 for hours of single and multiplayer target shooting, read and follow the safety guidelines below and the instructions for set up and use in this booklet.

AIRGUN SAFETY RULES

Always read and follow these rules each time you and others use or handle any airgun.

THE UNSUPERVISED USE OF AIRGUNS IS NOT RECOMMENDED FOR PERSONS UNDER 16 YEARS OF AGE.

1. Always keep the gun pointed in a safe direction.
2. Always treat a gun as if it is loaded, even if you know it isn't.
3. Always keep the gun ON SAFE and keep your finger off the trigger until ready to fire. Keep your fingers away from the trigger during cocking and handling.
4. Know your target and what is beyond.
5. Use only the correct ammunition for the gun and target.
6. Always use eye protection specifically designed for airguns or firearms, and wear them over prescription glasses.
7. Always use hearing protection.
8. Never use drugs or alcohol while handling any gun.
9. All airguns and ammunition should be kept in separate and secure places, out of reach of children and untrained users. Always keep the gun ON SAFE, unloaded and in proper working condition.
10. After use and before putting away an airgun, always make absolutely sure there is no ammunition left in the gun or in the magazine.
11. Keep the airgun on safe and do not load it until you are ready to fire. Do not run, jump or climb when carrying a loaded airgun. A loaded airgun should never be carried inside a vehicle.
12. Do not carry or use an airgun in any situation where it might be mistaken for a firearm. Brandishing it in public or changing the coloration and markings to make it look more like a firearm may be confusing and may be a crime.

OPERATING INSTRUCTIONS

1. Select the desired speed. There are three speeds plus a random speed setting.
2. Turn vehicle on.
3. Check the target screws, track connectors, and fasteners before and after use of the target.
4. The vehicle's battery life is approximately four hours.
5. Read and follow safety rules associated with airguns.
6. You should replace the silhouette sections once heavy damage is apparent. To purchase replacement parts, place USA orders online at www.gamoussa.com. For international orders go to www.gamo.com.
7. Do not forget to affix the protective metal plates to the bottom front of the track.
8. Always position the MTS 1000 where the vehicle is safely behind the track and not in the line of fire.
9. The MTS 1000 is designed for use with traditional pellet guns and ONLY lead airgun pellets. NEVER use with any type of metal BBs, or with any rimfire or centerfire ammunition, which can damage the target and track.



DO NOT SHOOT AT THE TARGET CLOSER THAN 10 YARDS.

DISTANCE CONVERSION CHART			
CENTERFIRE RIFLE CONVERSION TO AIRGUN TARGET SET UP CHART			
AIRGUN VELOCITY*	650 FPS	850 FPS	1000 FPS
TARGET SETUP DISTANCES	ACTUAL GAME DISTANCES		
6 yds (650 fps only)	75 yds	NA	NA
10 yds	121 yds	92 yds	75 yds
12 yds	150 yds	110 yds	95 yds
15 yds	180 yds	140 yds	120 yds
20 yds	240 yds	185 yds	160 yds
25 yds	300 yds	230 yds	200 yds
30 yds	365 yds	280 yds	240 yds

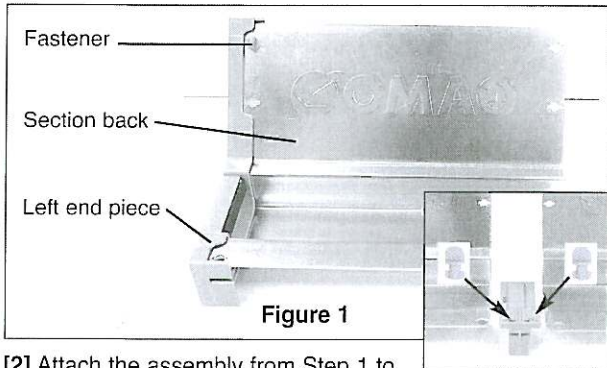
Example; You are shooting a Shadow Sport, your velocity is 1000 fps and you want to practice at 200 yards, set your MTS at 25 yards and have fun.

* Assumes average muzzle velocity of a centerfire rifle bullet
 * Assumes airgun shooter uses .177 caliber pellet
 * For muzzleloader practice - increase target setup distance by 1/3

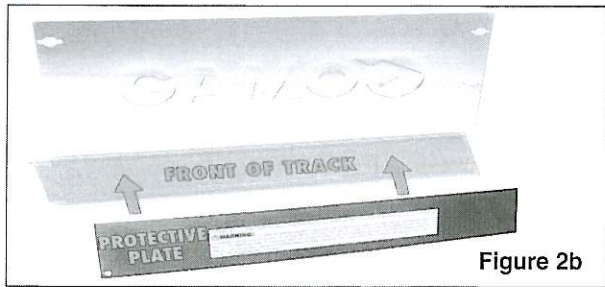
ASSEMBLY INSTRUCTIONS

Note: In these instructions, Left and Right are from the perspective of the person assembling the MTS 1000.

[1] Attach the left end piece to one of the five section backs, as shown in figure 1. Do not attach the long section back to the end piece. Use 3 fasteners to secure the section back to the end piece.



[2] Attach the assembly from Step 1 to the long section back using a track bottom connector. Use 2 fasteners to secure the assembly. See Figure 2a. Attach the protective metal plate (self sticking tape already on plate) to the lower front of the track and the track connectors. See Figure 2b.

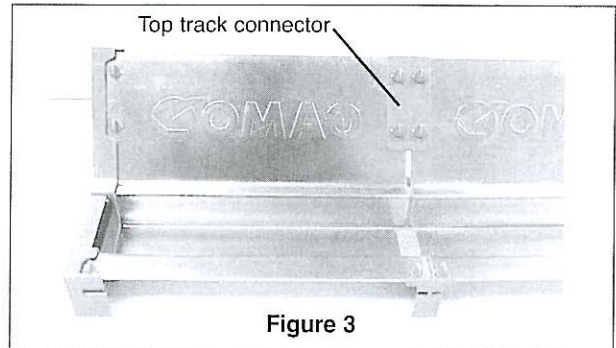


Front view of the target track showing how to attach and location of the protective plate(s)

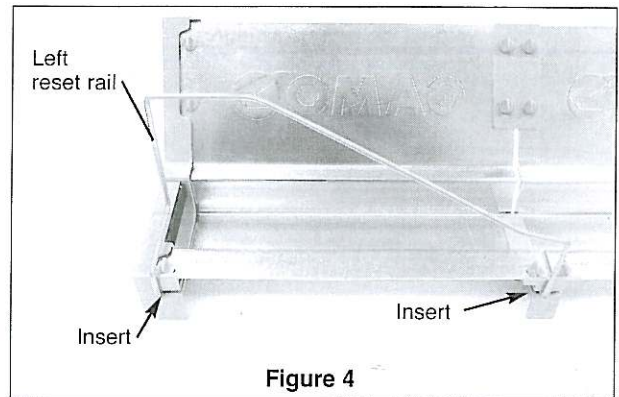
[3] Attach a top track connector to the assembly using 4 fasteners, as shown in Figure 3. Be sure that the raised spine on one side of the top track connector is placed inside the space between the track sections.

Connect the other side of the long section back to another section back using the same procedure. Repeat this process to connect the remaining section backs.

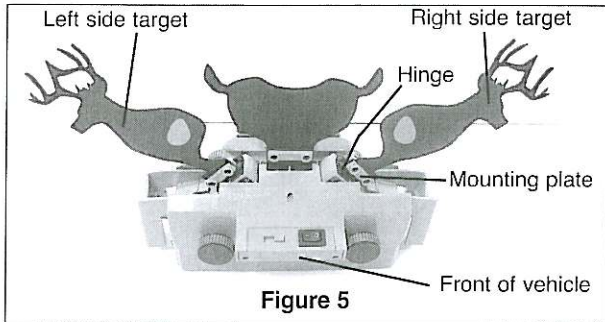
After connecting all of the section backs, connect the right end piece at the opposite end (not shown) using the same procedure as in Step 1, see Figure 1.



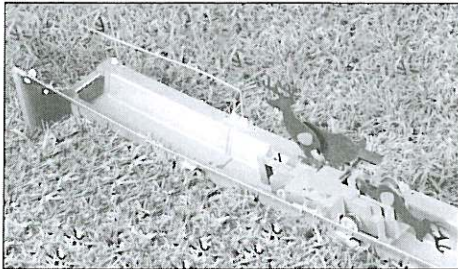
[4] Install the right and left reset rails by inserting them in the holes provided, see Figure 4.



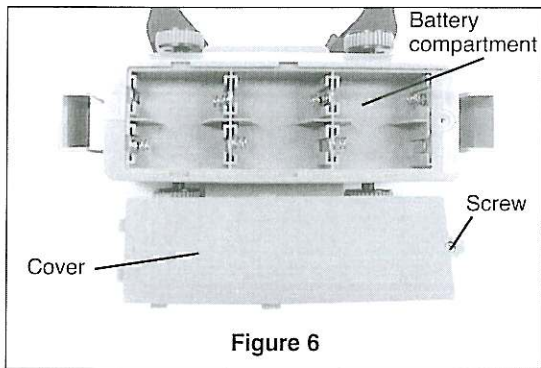
[5] Attach the left and right targets in front of the hinge on the vehicle (as viewed by the shooter.) Put one mounting plate in front of the target and put the other mounting plate behind the hinge. Screw the target to the vehicle with the screws going from the front of the vehicle to the back. Attach the center target in the same way except that the center target is placed behind the hinge. See Figure 5.



After assembly, position the vehicle on the track and you are ready to shoot.



[6] Install 6 "C" batteries in the vehicle (not included). With a Phillips screwdriver, remove the screw on the bottom of the vehicle and pull-slide the battery compartment cover to remove it. See Figure 6.



THE MTS 1000 HAS A 90 DAY PARTS AND LABOR WARRANTY ON VEHICLE CARRIAGE FOR MANUFACTURING DEFECTS ONLY.