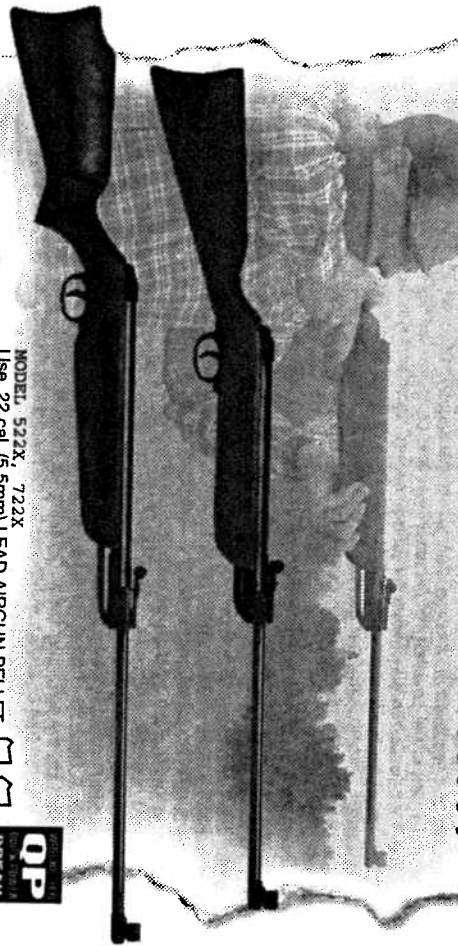


WINCHESTER MODELS

500X/600X/522X/722X/800X/1000X

Break-Action Pellet Rifles



MODEL 522X, 722X
Use .22 cal. (5.5mm) LEAD AIRGUN PELLET
MODELS 500X, 600X, 800X, 1000X
Use .177 cal. (4.5mm) LEAD AIRGUN PELLET



WINCHESTER

AIR RIFLES

A Product of Daisy Outdoor Products

This manual is intended for Winchester Air Rifles, distributed by Daisy Outdoor Products and does not apply to firearms bearing the Winchester name.

WARNING: NOT A TOY. ADULT SUPERVISION REQUIRED. MISUSE OR CARELESS USE MAY CAUSE SERIOUS INJURY OR DEATH. MAY BE DANGEROUS UP TO 353 YARDS (322 METERS).

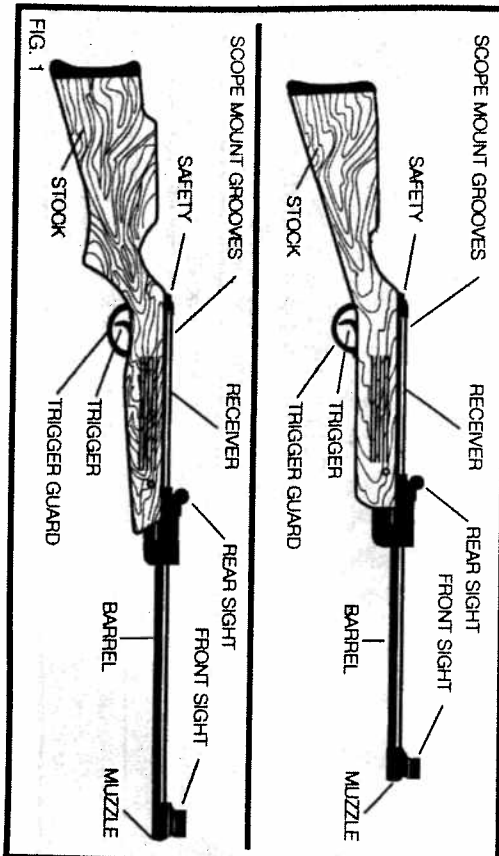
THIS IS A HIGH POWER AIR GUN RECOMMENDED FOR USE BY THOSE 16 YEARS OF AGE OR OLDER. READ ALL INSTRUCTIONS BEFORE USING. THE PURCHASER AND USER SHOULD CONFORM TO ALL LAWS GOVERNING USE AND OWNERSHIP OF AIR GUNS.

WARNING: THIS GUN CAN CAUSE SERIOUS INJURY OR DEATH. READ AND FOLLOW THE INSTRUCTIONS CAREFULLY. DO NOT LOAD A PELLET INTO THE GUN UNTIL YOU ARE READY TO SHOOT. IF YOU DO LOAD A PELLET AND THEN DECIDE NOT TO SHOOT, REMOVE IT EITHER MANUALLY OR BY SHOOTING THE GUN AT A SAFE TARGET. AN UNLOADED, UNCOCKED GUN WHICH IS "ON" SAFETY IS SAFEST. ACCIDENTS HAPPEN FAST, AND ACCIDENTALLY INJURING OR KILLING SOMEONE IS A TERRIBLE THING. PLEASE SHOOT SAFELY.

This safety alert symbol indicates important safety messages in this manual. When you see this symbol, be alert to the possibility of personal injury and carefully read the message that follows. The "Introduction to Winchester Air Rifle Shooting" section of this book which starts on Page 10, tells about the rules of shooting safety. READ THIS SECTION. Follow the safety rules and make certain anyone using your gun has been instructed in proper gun handling and safety. More power means greater chance of serious injury or death. Be sure to read the rules for "Proper Gun Handling" on Page 11.

The Models 500X, 600X, 522X, 722X, 800X and 1000X Winchester Air Rifles shoot with much more muzzle energy than most BB and pellet guns. Use extreme caution when operating this gun. Although your new Winchester Air Rifle is not a firearm, it has lethal potential and should be treated with the caution and respect due any conventional firearm. Like a firearm, your Winchester Air Rifle, when misused or carelessly used, can kill or seriously injure the shooter or other persons. Always remember, the first and most important safety feature of any gun is the shooter. All safeties are mechanical devices and the shooter is the only part of the system that can make a gun safe-or unsafe. DON'T DEPEND ON MECHANICAL SAFETIES-think ahead and avoid situations that might lead to accidents.

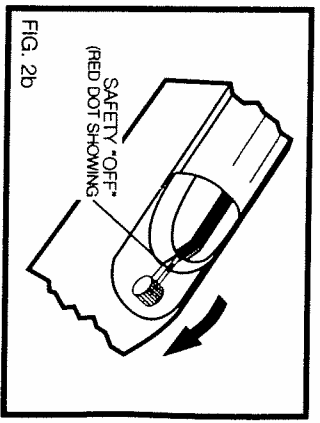
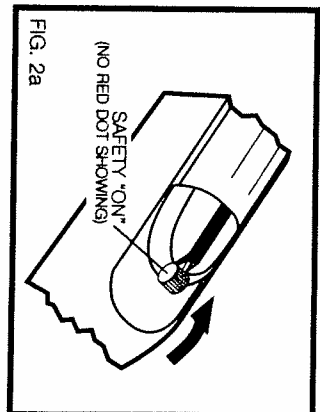
Guns differ in their operation, and you are never ready to fire any gun until you are thoroughly familiar with it. Read the following operating instructions and WITHOUT LOADING ANY PELLETS, proceed through the operating steps, dry firing your gun several times at a safe target. This will enable you to learn to operate the Winchester Air Rifle properly and safely.



2

PRIOR TO OPERATION

Put "ON" safety. Push safety to forward-up position - NO RED DOT SHOWING (See Fig. 2a).



OPERATING STEPS

- WARNING:** Be sure the gun is always pointed in a safe direction. Never point the gun at anyone. Always assume and handle the gun as if it were loaded and ready to fire.
- STEP 1. PUT "ON" SAFETY - NO RED DOT SHOWING (See Fig. 2a)
 - STEP 2. COCK (See page 4)
 - STEP 3. LOAD (See page 5)
 - STEP 4. CLOSE BARREL (See page 5)
 - STEP 5. AIM AT A SAFE TARGET (See page 6)
 - STEP 6. TAKE "OFF" SAFETY - RED DOT SHOWING (See Fig. 2b)
 - STEP 7. FIRE (See page 6)

NEVER STORE A LOADED GUN

At the end of a shooting session, as a safety precaution, always put "ON" safety. (See Step 1, page 4), and unload pellet from rifle. (See instructions on page 6.) Store in a safe place to prevent unauthorized use.

WARNING: The following three points must be strictly followed. Failure to do so could result in the rifle failing to discharge a projectile although it may remain in the barrel. This could be a dangerous condition. Also, jamming or damage to the rifle could occur. See "WARNING" notation on page 6.

- 1. DO NOT use distorted or deformed pellets. Carefully check the skirt of each pellet before loading. Use only Daisy MaxSpeed brand .177 cal. (4.5mm) pellets for the Models 500X, 600X, 800X and 1000X or .22 cal. (5.5mm) pellets for the Model 522X and 722X.
- 2. DO NOT load the pellets in backwards (i.e., DO NOT load pellets skirt forward. See Fig 5.)
- 3. DO NOT use BBs, buckshot, ball bearings or any other foreign objects.

HOW TO OPERATE

WARNING: Be sure the gun is always pointed in a safe direction. Never point the gun at anyone. Always assume and handle the gun as if it were loaded and ready to fire.

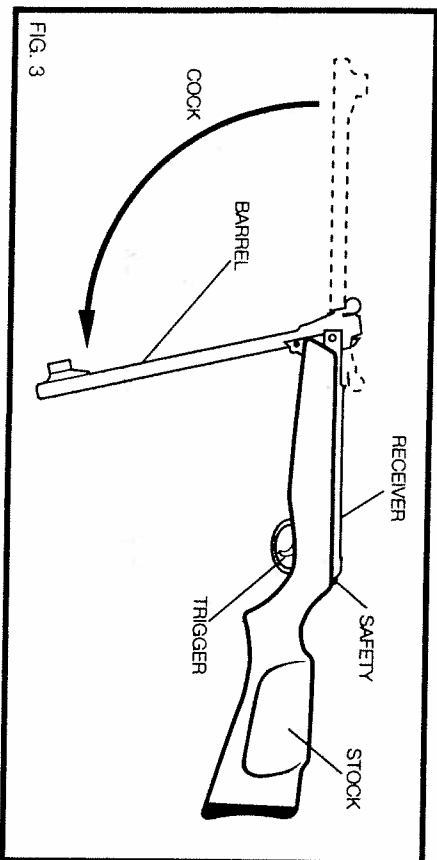
Step 1. PUT "ON" SAFETY

Push safety fully to the forward-up position - NO RED DOT SHOWING (See Fig. 2.a).

NOTE: The safety is not automatic. It will only do its job when you do yours. REMEMBER, THE BEST SAFETY IS GOOD GUN HANDLING.

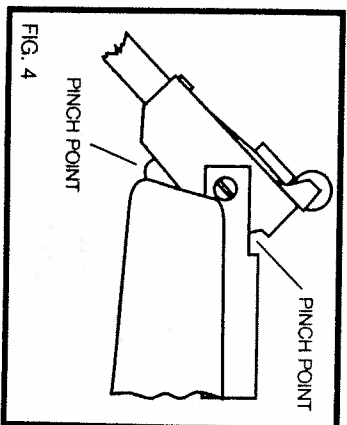
Step 2. COCK

Grasp the barrel just behind the front sight, and pull downward and to the rear until it comes to a solid stop. This is a single-stroke, spring/air gun. (See Fig. 3.)



WARNING: When cocking the rifle do not place your hand over or in front of the muzzle. Don't allow the muzzle to point toward you or anyone else during cocking. Always keep the muzzle pointed in a safe direction.

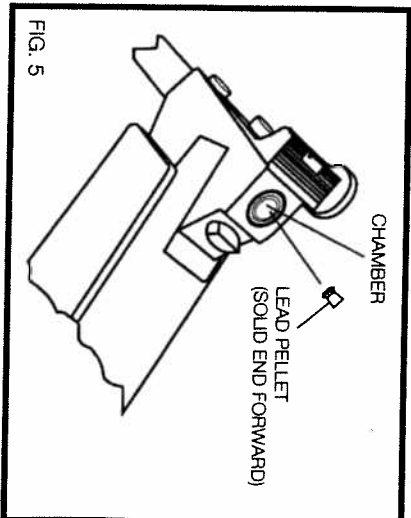
CAUTION: Be sure to grasp the barrel firmly as you cock it to prevent it from snapping back and possibly causing injury. Also, be careful to keep fingers out of cocking mechanism when cocking or closing the barrel. (See "Pinch Points", Fig. 4.)



4

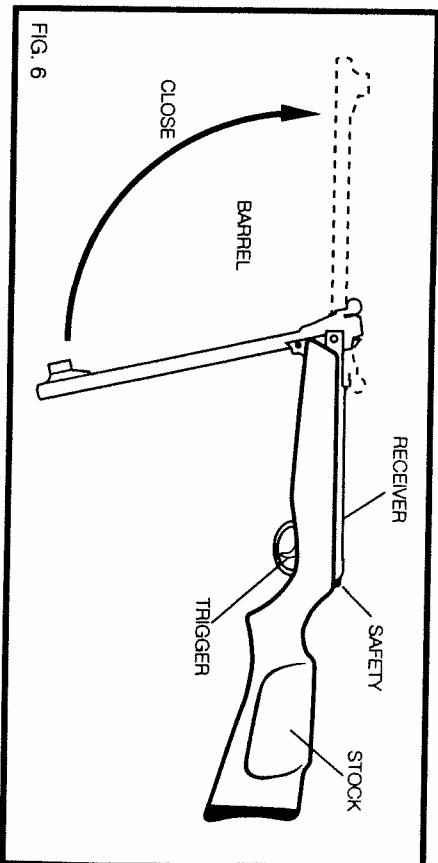
Step 3. LOAD

Place a lead pellet (solid end forward) fully into the chamber at the breech end of the barrel. (See Fig. 5.)



Step 4. CLOSE BARREL

Grasp the barrel behind the front sight, return the barrel to its original closed and latched position. (See Fig. 6.)



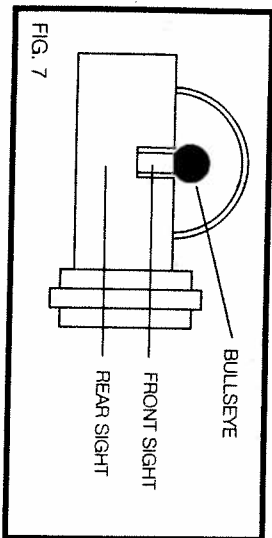
CAUTION: Be careful to keep fingers clear of cocking mechanism. (See "Pinch Points", Fig. 4.)

5

Step 5. AIM AT SAFE TARGET

Aim at a safe target. To be a consistent marksman, use the correct sight picture each time you fire the gun. (See Fig. 7.)

CAUTION: Due to the power of this gun, use extra caution in selecting a safe target backstop. These models should not be used with BB gun target backstops. Pick targets that cannot be penetrated or that will not cause a ricochet because of their hard surfaces. Use only targets and traps that are designed for use with high-powered pellet guns. Do not shoot at water. See pages 14 and 15 on selecting a safe target.



Step 6. TAKE "OFF" SAFETY

When you are certain that the target, backstop and surrounding area are safe, move the safety fully to the rear-down position - RED DOT SHOWING (See Fig. 2b). Your gun is ready to shoot. Pulling the trigger now will fire a pellet from the gun. In this condition, it should be handled with extreme care.

Step 7. FIRE

The rifle can be fired after completing the above operation steps. After making sure the gun is pointed in a safe direction, gently but firmly, squeeze the trigger.

WARNING: If a pellet does not fire after completing the operation steps, the gun may be jammed. An unfired projectile in the barrel can be a dangerous situation. Keep the gun pointed in a safe direction and repeat all operation steps except Step 3. If a projectile still does not fire, do the following:

1. Put "ON" safety - NO RED DOT SHOWING. (See Fig. 2a)
2. Cock the gun and leave the barrel open with the safety on.
3. Clear barrel by running a cleaning rod through from muzzle end.
4. Repeat operation steps.

If after following the firing procedure the pellet does not fire, your gun should be returned to the factory. (See "Repair of Winchester Air Rifles".)

UNLOAD PELLET

It is preferable to fire the pellet at a safe target to unload the gun. If this is not practical, put "ON" safety, cock the gun to open the barrel and push the pellet from the chamber by running a cleaning rod through the muzzle end. Close the barrel, take "OFF" safety and fire the gun in a safe direction.

6

REAR SIGHT ADJUSTMENT

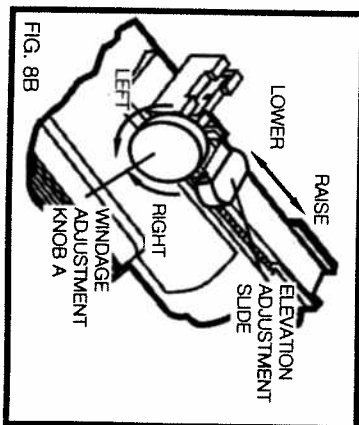
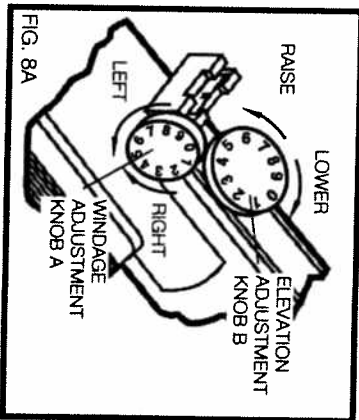
Your gun is equipped with a fully adjustable rear sight.

Windage: To move the point of impact to the right, move the sight to the right by turning Knob A in a clockwise direction. To move the point of impact to the left, move the sight to the left by turning Knob A in a counterclockwise direction (See Fig. 8A and 8B)

NOTE: Elevation can be adjusted by one of two methods depending on which sight your gun has. (See Figure 8A or 8B)

Elevation: (See Fig. 8A) To move the point of impact up, move the sight up by turning Knob B counterclockwise. To move the point of impact down, move the sight down by turning Knob B clockwise.

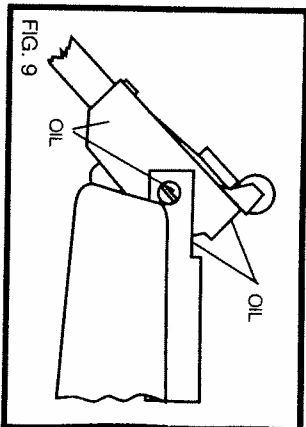
Elevation: (See Fig. 8B) Push slide toward muzzle to raise the point of impact. Push slide toward gun butt to lower point of impact.



PROPER CARE

The exposed metal parts (rear sight, receiver, screw heads, sight hood, etc.) are a gun blue finish and MUST be wiped clean after handling to prevent rust. Use a soft cloth lightly oiled with a clean automotive motor oil.

The barrel hinge joint, cocking link hinge pins, air port seals, and latch plunger should be sparingly lubricated by occasionally adding a drop of clean, automotive motor oil. (See Fig. 9).



CAUTION: Never attempt to clean the gun until the gun is unloaded and the safety is "ON".

7

STORAGE

NEVER STORE A LOADED OR COCKED GUN. Put "ON" Safety and unload pellet from the gun. Keep rifle away from children and untrained shooters. Store pellets separately from the rifle to keep them from untrained shooters. Protect your rifle from moisture and dirt; clean gun and wrap it in a smooth, dry cloth, or store the gun in the package it came in when new.

MODIFICATION

CAUTION: The components of this gun were engineered and manufactured to deliver optimum performance. Any modification or tampering with a gun may cause a malfunction and may make it unsafe to use. Any change in performance (such as a lowered trigger pull force and shortened trigger travel), indicates possible modification, tampering and/or wear. Such gun should be inspected, replaced or properly repaired by qualified personnel. Any gun that has been dropped should be checked by qualified personnel to ensure that its function has not been affected.

WARNING: A GUN THAT IS NOT OPERATING PROPERLY MAY BE DANGEROUS. IT SHOULD BE KEPT SAFELY FROM USE BY ANYONE UNTIL REPAIRED OR DESTROYED. DO NOT TRY TO TAKE THE GUN APART. IT IS DIFFICULT TO RESEMBLE AND IMPROPER REASSEMBLY CAN CAUSE A HAZARDOUS CONDITION.

REPAIR OF WINCHESTER AIR RIFLES

GUNS IN WARRANTY LIMITED ONE-YEAR WARRANTY

For one year from date of purchase, Daisy will repair or replace and return this gun, free of charge, if defective in material or workmanship. Service is available by returning the gun to Daisy Outdoor Products (refer to important note below). Attach to the gun, your name, address, and telephone number, description of problem and proof of date of retail purchase (sales slip). Package and send transportation prepaid to Daisy. This Warranty gives you specific legal rights, and you may also have other rights which may vary from state to state.

IMPORTANT: You can return your inoperative rifle to Daisy for repair via the U.S. Mail or United Parcel Service. Be sure to put "ON" safety and unload Ammo before returning the gun to Daisy. You must include your street address for Daisy to send your rifle directly back to you through UPS delivery.

GUNS OUT OF WARRANTY

If your Winchester Air Rifle needs repair, please call 1-800-713-2479 for repair charges. Daisy will repair the gun or replace it with a reconditioned gun of the same model, if available; otherwise, with a model of equivalent quality.

Daisy Outdoor Products
Service Department
11823 Lime Kiln Rd.
Neosho, MO 64850

SPECIFICATIONS

MODEL 1000X		MODEL 800X		MODEL 522X/722X		MODEL 500X/600X	
ACTION	Break-barrel cooking spring/air, single shot pellet	ACTION	Break-barrel cooking spring/air, single shot pellet	ACTION	Break-barrel cooking spring/air, single shot pellet	ACTION	Break-barrel cooking spring/air, single shot pellet
CALIBER	.177 cal. (4.5 mm) lead air gun pellets	CALIBER	.177 cal. (4.5 mm) lead air gun pellets	CALIBER	.22 cal. (5.5 mm) lead air gun pellets	CALIBER	.177 cal. (4.5 mm) lead air gun pellets
OVERALL LENGTH	41.5 in. (105 cm)	OVERALL LENGTH	45 in. (114 cm)	OVERALL LENGTH	45 in. (114 cm)	OVERALL LENGTH	41.5 in. (105 cm)
WEIGHT	5.9 lbs. (2.7 kg)	WEIGHT	6.6 lbs. (3.0 kg)	WEIGHT	6.6 lbs. (3.0 kg)	WEIGHT	5.9 lbs. (2.7 kg)
MUZZLE VELOCITY	500X = 490 fps/149 mps - 600X = 600 fps/183 mps	MUZZLE VELOCITY	800 fps, 244 mps	MUZZLE VELOCITY	522X = 480 fps (149 mps) - 722X = 700 fps (213 mps)	MUZZLE VELOCITY	500X = 4.1 ft lbs./ 5.6J - 600X = 6.2 ft lbs/ 8.4J
MUZZLE ENERGY	500X = 294 yds. (232 m) - 600X = 286 yds. (262 m)*	MUZZLE ENERGY	10.9 ft lbs/ 14.9J	MUZZLE ENERGY	522X = 7.3 ft lbs. (9.9J) - 722X = 14.9 ft lbs. (20.3J)	MUZZLE ENERGY	500X = 294 yds. (232 m) - 600X = 286 yds. (262 m)*
MAXIMUM SHOOTING DISTANCE*	17.7 in. (45cm) long, rifled steel	MAXIMUM SHOOTING DISTANCE*	296 yds. (271 m)*	MAXIMUM SHOOTING DISTANCE*	522X = 327 yds. (299 m) - 722X = 353 yds. (322 m)*	MAXIMUM SHOOTING DISTANCE*	17.7 in. (45cm) long, rifled steel
BARREL	17.7 in. (45cm) long, rifled steel	BARREL	17.7 in. (45cm) long, rifled steel	BARREL	17.7 in. (45cm) long, rifled steel	BARREL	17.7 in. (45cm) long, rifled steel
SAFETY	Rear thumb safety	SAFETY	Rear thumb safety	SAFETY	Rear thumb safety	SAFETY	Rear thumb safety
ACTION	Break-barrel cooking spring/air, single shot pellet	ACTION	Break-barrel cooking spring/air, single shot pellet	ACTION	Break-barrel cooking spring/air, single shot pellet	ACTION	Break-barrel cooking spring/air, single shot pellet
CALIBER	.177 cal. (4.5 mm) lead air gun pellets	CALIBER	.177 cal. (4.5 mm) lead air gun pellets	CALIBER	.22 cal. (5.5 mm) lead air gun pellets	CALIBER	.177 cal. (4.5 mm) lead air gun pellets
OVERALL LENGTH	45 in. (114 cm)	OVERALL LENGTH	45 in. (114 cm)	OVERALL LENGTH	45 in. (114 cm)	OVERALL LENGTH	45 in. (114 cm)
WEIGHT	6.6 lbs. (3.0 kg)	WEIGHT	6.6 lbs. (3.0 kg)	WEIGHT	6.6 lbs. (3.0 kg)	WEIGHT	6.6 lbs. (3.0 kg)
MUZZLE VELOCITY	1000 fps, 305 mps	MUZZLE VELOCITY	17.1 ft lbs/ 23.2J	MUZZLE VELOCITY	305 yds. (279 m)*	MUZZLE VELOCITY	1000 fps, 305 mps
MUZZLE ENERGY	17.1 ft lbs/ 23.2J	MUZZLE ENERGY	305 yds. (279 m)*	MUZZLE ENERGY	17.7 in. (45cm) long, rifled steel	MUZZLE ENERGY	17.1 ft lbs/ 23.2J
MAXIMUM SHOOTING DISTANCE*	17.7 in. (45cm) long, rifled steel	MAXIMUM SHOOTING DISTANCE*	17.7 in. (45cm) long, rifled steel	MAXIMUM SHOOTING DISTANCE*	17.7 in. (45cm) long, rifled steel	MAXIMUM SHOOTING DISTANCE*	17.7 in. (45cm) long, rifled steel
BARREL	17.7 in. (45cm) long, rifled steel	BARREL	17.7 in. (45cm) long, rifled steel	BARREL	17.7 in. (45cm) long, rifled steel	BARREL	17.7 in. (45cm) long, rifled steel
SAFETY	Rear thumb safety	SAFETY	Rear thumb safety	SAFETY	Rear thumb safety	SAFETY	Rear thumb safety

*With the muzzle pointed upward at the optimum angle.