



www.hillpumps.com

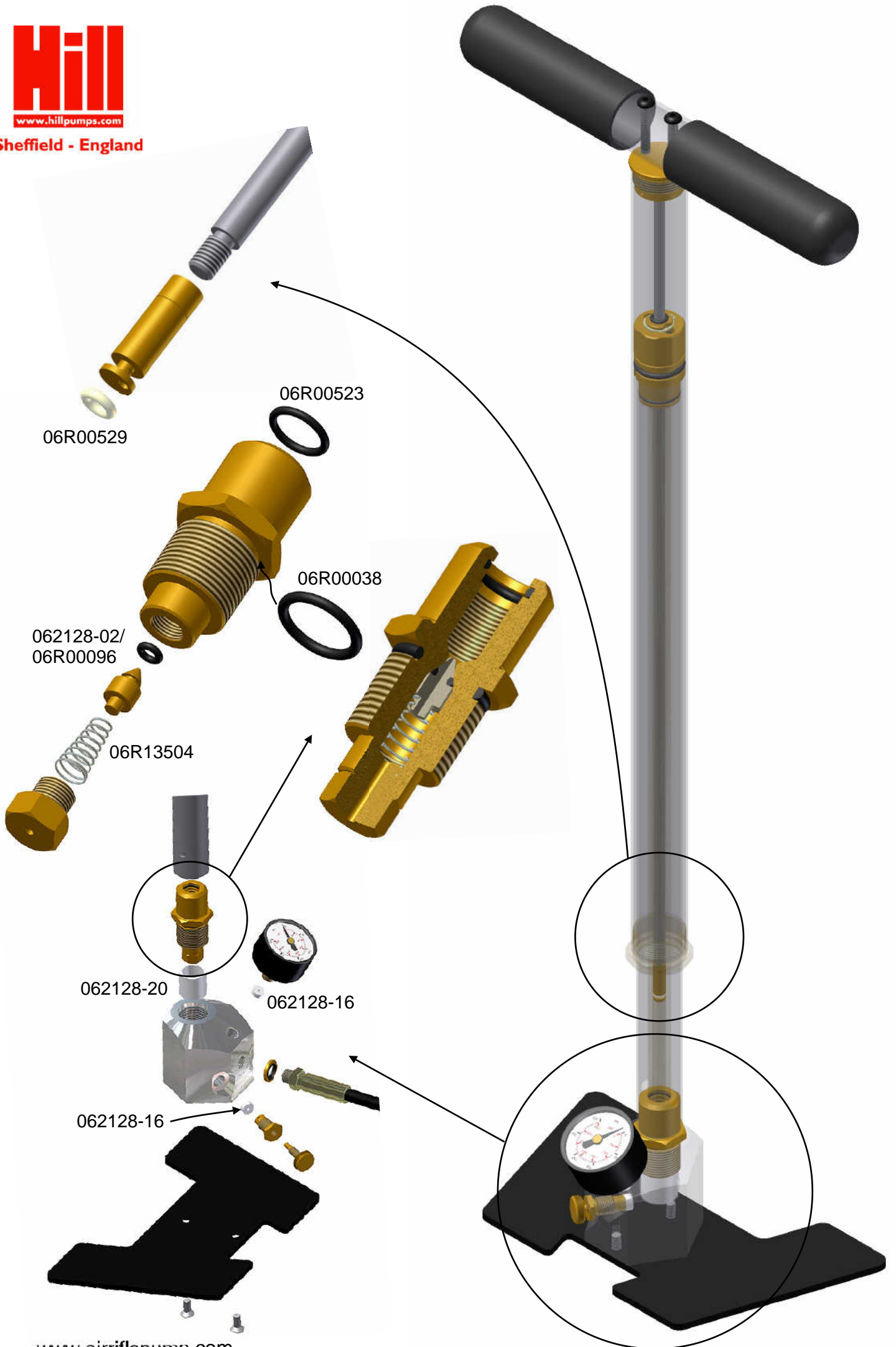
Sheffield - England





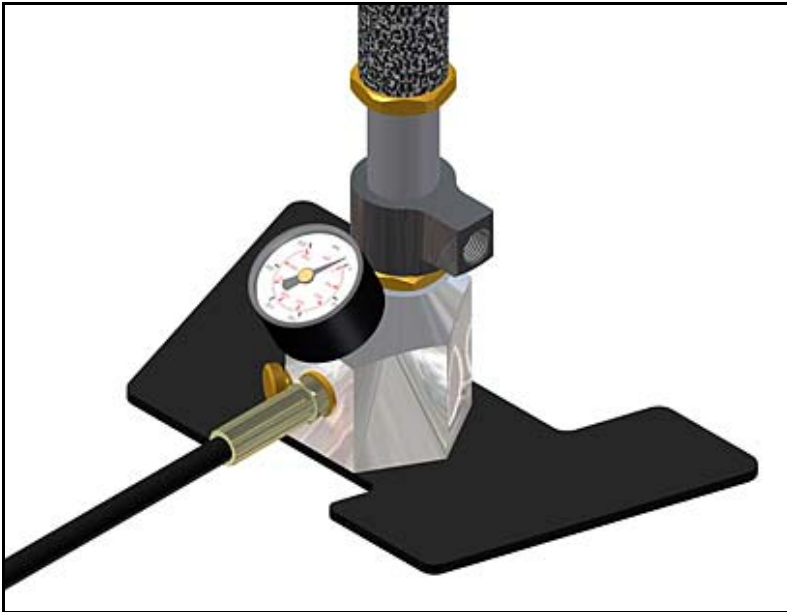
www.hillpumps.com

Sheffield - England



## 2128 AIR COMPRESSOR PUMP

### Replacement of outlet air filter element Z2128-100



- 1) Unscrew the hexagon connector on top of the base housing to remove the pump.
- 2) Withdraw the filter from its seat in the bottom of the housing.
- 3) Refit the new replacement filter by carefully placing it into the housing seat. Fit new O'Ring where necessary.
- 4) Refit the pump and tighten the hexagon connector.
- 5) The pump is now ready for use.

