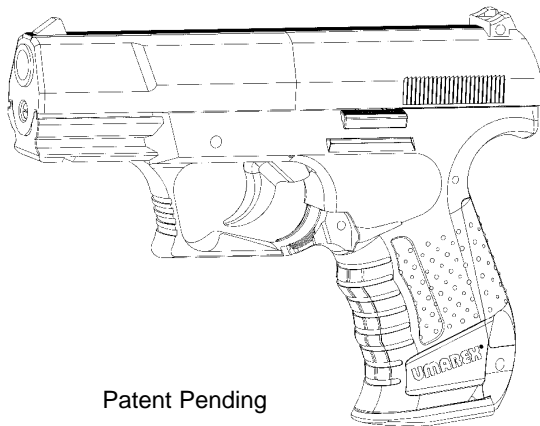


Owner's Manual

UMAREX®

CP SPORT

CO₂ Air Pistol
.177 cal. 4.5mm



Patent Pending

WARNING: Not a toy. Adult supervision required. Misuse or careless use may cause serious injury or death. May be dangerous up to 350 yards (320 meters).

YOU AND OTHERS WITH YOU SHOULD ALWAYS WEAR SHOOTING GLASSES TO PROTECT YOUR EYES. READ ALL INSTRUCTIONS BEFORE USING.
BUYER AND USER HAVE THE DUTY TO OBEY ALL LAWS ABOUT THE USE AND OWNERSHIP OF THIS AIRGUN.

THIS AIRGUN IS INTENDED FOR USE BY THOSE 16 YEARS OF AGE OR OLDER.

03/2002 8.412.800.07

⚠ WARNING:

Lead pellets. Do not inhale dust or put pellets in mouth. Wash hands after handling. This product contains lead, a chemical known to the State of California to cause cancer and birth defects (or other reproductive harm.)

Please read this owner's manual completely. And remember, this air pistol is not a toy. Treat it with the same respect you would a firearm. Always carefully follow the safety instructions found in this owner's manual and keep this manual in a safe place for future use.

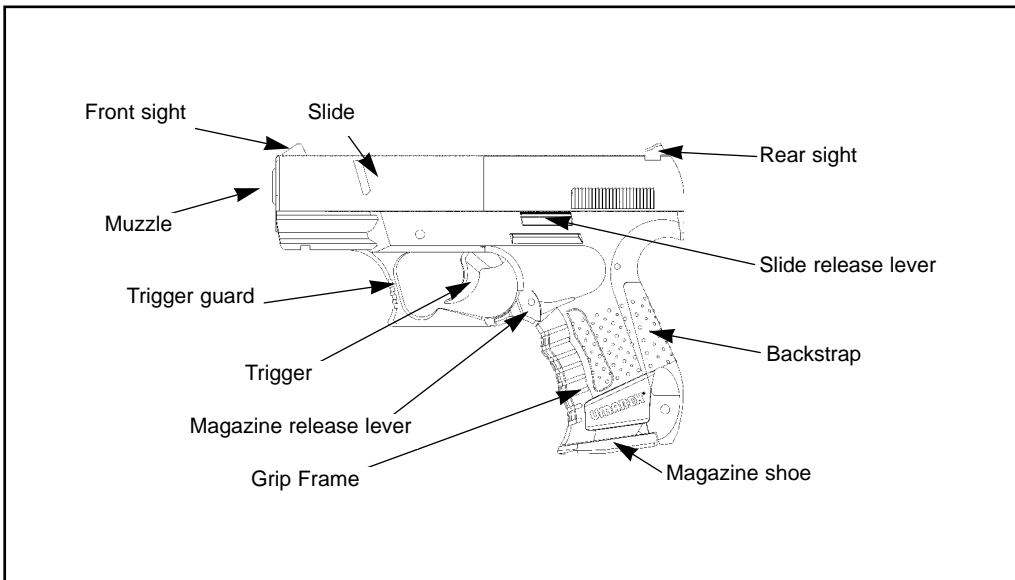
If you have any questions, regarding your new air pistol, please contact Crosman Customer Service at 1-800-724-7486, 585-657-6161 or www.crosman.com.

STEPS FOR THE SAFE USE OF YOUR CO₂ AIR PISTOL

1. Learning the Parts of Your New CO₂ Air Pistol
2. Operating the Safety
3. Insertion and Removal of CO₂ Cylinders
4. Loading and Unloading Pellets
5. Aiming and Firing Safely
6. Removing a Jammed Pellet
7. Maintaining Your Air Pistol
8. Reviewing Safety
Specifications
Problems
Warranty

1. Learning the Parts of Your New CO₂ Air Pistol

Learning the names of the parts of your new air pistol will help you to understand your owner's manual. Use this manual to increase your enjoyment of this air pistol.



2. Operating the Safety

⚠ WARNING: Keep the air pistol in the "ON SAFE" position until you are actually ready to shoot. Then push the safety to the "OFF SAFE" position.

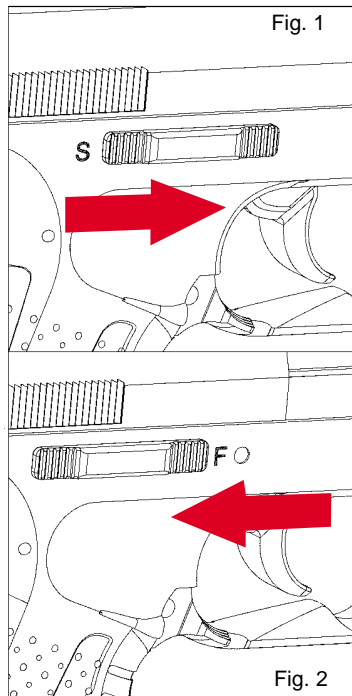
2.1 To Put The Air Pistol "ON SAFE:"

- Locate the safety on the right hand side of the receiver.
- Push the safety forward, toward the muzzle end of the air pistol (Fig. 1). The safety is not "On Safe" unless it is pushed forward all the way and the RED dot and the "S" on the receiver is not showing. The air pistol will not fire when "On Safe".

Even when the safety is "On Safe", you should continue to handle the air pistol safely. Do not ever point the air pistol at any person. Do not ever point the air pistol at anything you do not intend to shoot.

2.2 To Take The Air Pistol "OFF SAFE":

- Push the safety rearward, toward the rear sight (Fig. 2). When you can see the RED dot and the "F" on the receiver, the air pistol is "Off Safe" and can be fired.



3. Insertion and Removal of CO₂ Cylinders

⚠ WARNING: CO₂ cylinders may explode at temperatures above 120° F (48.9° C). Do not mutilate or incinerate them. Do not expose them to heat or store CO₂ cylinders at temperatures above 120°F (48.9°C).

⚠ WARNING: Keep hands away from escaping CO₂ gas. It can cause frostbite if allowed to come in contact with skin.

3.1 Inserting the CO₂ Cylinder

- Make sure the air pistol is "On Safe" (See **Step 2.1**).
- Make sure the air pistol is unloaded (See **Step 4.2**).
- Point the air pistol in a SAFE DIRECTION.
- Press the magazine release lever and slide the magazine out of the bottom of the grip (Fig. 3).
- Turn the magazine shoe clockwise towards "OPEN" (Fig. 4).
- If a CO₂ cylinder is already installed, See **Step 3.2 - Removing the CO₂ Cylinder**.
- Insert the CO₂ cylinder with the small neck of the cylinder pointing upward toward the top of the magazine. (Fig. 5).
- Tighten the cylinder into place by turning brass retaining screw clockwise (up) until secure and close the magazine shoe by turning counterclockwise towards "POWER" (Fig. 6) to pierce the CO₂ cylinder.
- Insert the magazine up into the bottom of the grip until it locks into place (Fig. 7).
- With the air pistol unloaded (See **Step 4.2**) and pointed in a SAFE DIRECTION, take "Off Safe" (See **Step 2.2**) and pull the trigger to fire. **If your air pistol does not make a popping noise after pulling the trigger, the CO₂ is not being discharged.** In that event you will have to put the air pistol "On Safe" (See **Step 2.1**), remove the CO₂ cylinder (See **Step 3.2**), and re-insert the CO₂ cylinder **as described in Step 3.1**, point in a SAFE DIRECTION, take "Off Safe" (See **Step 2.2**) and pull the trigger.

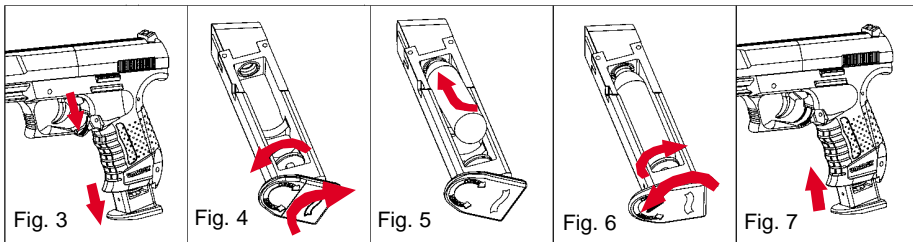
3.2 Removing the CO₂ Cylinder

- Make sure the air pistol is "On Safe" (See **Step 2.1**).
- Make sure the air pistol is unloaded (See **Step 4.2**).
- Point the air pistol in a SAFE DIRECTION.
- Press the magazine release lever and slide the magazine out of the bottom of the grip (See **Fig. 3**).
- Turn the magazine shoe clockwise towards "OPEN" (See **Fig. 4**).
- **Slowly** turn the brass cylinder retaining screw counter clockwise (down) to tighten; allowing any remaining CO₂ gas to escape (See **Fig. 4**).
- Remove the CO₂ cylinder.

NOTE: High temperatures may cause damage to the air pistol. The maximum temperature for the storage or use of this air pistol should not exceed 120°F (48.9°C). This temperature can easily be reached when the air pistol is exposed to direct sunlight.

FIRING THE AIR PISTOL WITH LOW GAS PRESSURE MAY CAUSE A PELLET TO GET STUCK IN THE BARREL.

Never try to force any CO₂ cylinder into or out of place as it may result in injury to you or damage to your air pistol. Do not store your air pistol with a CO₂ cylinder in it. This is very important to remember, as it will prolong the longevity of your air pistol seals.

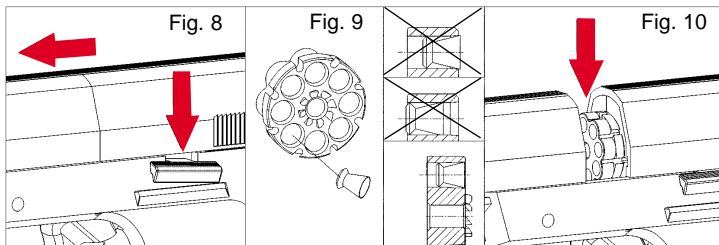


4. Loading and Unloading Pellets

⚠ WARNING: Use .177 (4.5mm) caliber pellets only in this air pistol. Never reuse pellets. Use of any other ammunition can cause injury to you or damage to the air pistol.

4.1 Loading Pellets

- Make sure the air pistol is "On Safe" (See **Step 2.1**).
- Point the air pistol in a SAFE DIRECTION.
- While keeping the air pistol in a horizontal position (to keep the pellet clip from falling out), open the slide by pressing the slide release lever down until the slide opens and exposes the breech (Fig. 8).
- Place a .177 caliber (4.5 mm) pellet, nose first, in each pellet chamber of the pellet clip. (Fig. 9).
IMPORTANT: To avoid jams or deforming the pellets, make sure the pellet skirt is level or slightly below the rim of the pellet chamber.
- Place the pellet clip in the breech (ratchet teeth facing the rear sight) (Fig. 10).



⚠ WARNING: Do not place your hand or fingers over the muzzle. Do not put your finger on the trigger and make sure your air pistol is pointing in a **SAFE DIRECTION** when closing the slide. Failure to follow this warning may cause serious injury.

- Close the air pistol by gripping the slide and pushing it back until it locks into place (Fig. 11).

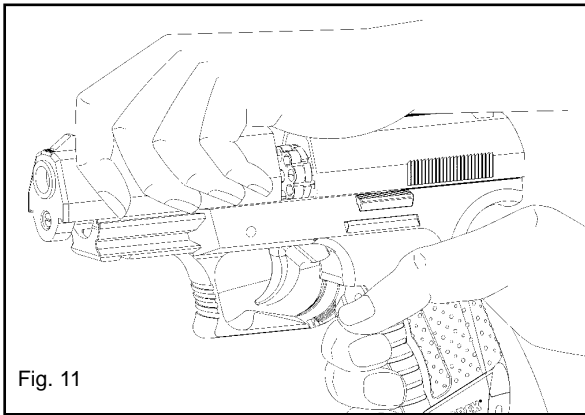


Fig. 11

4.2 Unloading the Pellets

- Put air pistol "On Safe" (See **Step 2.1**).
- Open the barrel (See **Step 4.1**).
- Remove the pellet clip. Using a ramrod, gently push each pellet out of the pellet chamber.
- **IMPORTANT:** Never use sharp metal tools to remove pellets.
- Check to make sure the barrel is completely unloaded by pointing the muzzle in a **SAFE DIRECTION**, taking "OFF SAFE" (See **Step 2.2**) and pulling the trigger to fire. You may also unload your air pistol by following the directions listed under **Step 6 - Removing a Jammed Pellet**.
- Replace the empty pellet clip (ratchet teeth facing the rear sight) on the barrel (See **Fig. 10**).
- Close the slide by pushing it all the way back until it locks into place (See **Step 4.1**).

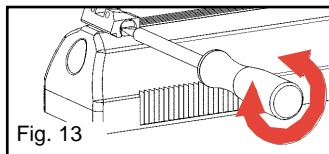
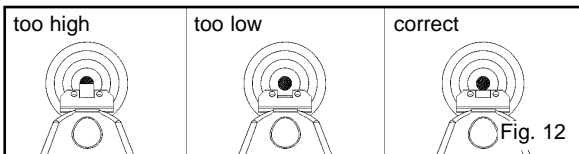
5. Aiming and Firing Safely

5.1 Aiming and Firing the Air Pistol

- You and others with you should always wear shooting glasses to protect your eyes.
- Always aim your air pistol in a SAFE DIRECTION. When you are sure of your target and backstop, and the area around the target is clear, take the air pistol "Off Safe" (See **Step 2.2**) and squeeze the trigger to fire.
- Do not shoot at hard surfaces or at the surface of water. The pellet may bounce off or ricochet and hit someone or something you had not intended to hit.
- Always choose your target carefully. It is best to shoot at paper bullseye targets, which are attached to a safe backstop. Your backstop should be checked for wear before and after each use. Replace your backstop if the surface is worn or damaged, or if a ricochet occurs.
- Your air pistol is designed for target shooting and is suited for both indoor and outdoor use. Always remember to place your target carefully. THINK about what you will hit if you miss the target.
- The air pistol is correctly aimed when the front sight blade is positioned exactly in the notch of the rear sight. The top of the front sight blade should be even with the top of the notch in the rear sight. The bullseye should appear to rest on the top of the front sight (Fig. 12).

5.2 Sight Adjustment

The rear sight can be adjusted for windage. This adjustment is made by using a screwdriver to turn the screw clockwise if the air pistol fires too far to the right and counterclockwise if it shoots too far to the left (Fig. 13).



6. Removing A Jammed Pellet

IMPORTANT: The fact that the air pistol does not fire a projectile is never a reason to assume that the rotary magazine does not contain any more pellets. Firing the air pistol with too little gas pressure left may cause a pellet to get stuck in the barrel.

- Make sure the air pistol is "ON SAFE" (See **Step 2.1**).
- Remove the CO₂ magazine (See **Step 3.2**).
- Insert a ramrod of the proper size into the muzzle end of the barrel and carefully push the jammed pellet into the loading port. **The barrel could be damaged if the proper sized ramrod is not used.**
- Once you have pushed the pellet back into the loading port, shake the air pistol until the jammed pellet falls out.
- Do not try to reuse that pellet. **If you are not able to unjam your air pistol by following this procedure, take no further action.** Crosman Corporation or an Authorized Service Station will unjam your air pistol (no cost during the warranty period).

7. Maintaining Your Air Pistol


IMPORTANT: Before you attempt to clean your air pistol, always make sure it is "On Safe" (See **Step 2.1**), the CO₂ cylinder and rotary magazine are removed and you have checked the barrel to make sure there are no pellets left in it (See **Steps 3.1 & 4.2**).

- Your air pistol will maintain proper function for a long time if you oil the slide rails with 2-3 drops of airgun oil after you have fired approximately 250 shots and clean the air pistol by using Maintenance Cylinders and Cleaning Pellets. **DO NOT** use a petroleum distillate based oil or solvent and **DO NOT** over-oil because this can cause damage to your air pistol.
- Tampering with the air pistol or attempts to change the air pistol in any way may make it unsafe to use and will void the warranty.
- If you drop your air pistol, check to see that it works properly before you use it again. If anything seems changed, like a shorter or weaker trigger pull, this may mean worn out or broken parts. **Call Customer Service at Crosman for assistance before using your air pistol again.**

8. Reviewing Safety

- Do not ever point the air pistol at any person. Do not ever point the air pistol at anything you do not intend to shoot.
- Always treat the air pistol as though it is loaded and with the same respect you would a firearm.
- Always aim in a SAFE DIRECTION. Always keep the muzzle of the air pistol pointed in a SAFE DIRECTION.
- Always keep the air pistol "On Safe" until you are ready to shoot in a SAFE DIRECTION.
- Always check to see if the air pistol is "On Safe" and unloaded when getting it from another person or from storage.
- Always keep your finger off the trigger and out of the trigger guard until ready to shoot.
- You and others with you should always wear shooting glasses to protect your eyes.
- Use .177 caliber pellets only. Never reuse pellets.
- Do not shoot at hard surfaces or at the surface of water. The pellet may bounce off or ricochet and hit someone or something you had not intended to hit.
- Replace the backstop if it becomes worn. Place the backstop in a location that will be safe should the backstop fail.
- Do not attempt to disassemble or tamper with your air pistol. Use an Authorized Service Station or return it to the factory for repair.
- Do not put the air pistol away loaded. Make sure **ALL** of the pellets are unloaded from the air pistol. (See **Step 4.2**)
- Do not put the air pistol away inserted with a Co2 cylinder (See **Step 3.1**).
- Always store this air pistol in a secure location.

SPECIFICATIONS

| | |
|-------------------------|---|
| Mechanism: | Repeater |
| Caliber/Ammunition: | .177 cal (4.5 mm) Lead Airgun Pellet Magazine  |
| Weight: | 8 pellets |
| Overall Length: | 1.47 lbs. (.55 kg) |
| Sights: | 7 in. (18 cm) |
| | Front Ramp |
| | Rear Adjustable for Windage |
| Barrel Length/Material: | 3.3 in. (8.5 cm) /Rifled steel |
| Power source | CO2 12-gram small neck cylinders |
| Safety: | Slide style |
| Velocity: | Up to 360 fps (109 m/s) |

PERFORMANCE

Many factors affect velocity, including brand of projectile, type of projectile, amount of CO₂ in cylinders, lubrication, barrel condition and temperature.

REPAIR SERVICE

If your air pistol needs repair, we recommend that you take or send it to an Authorized Service Station or Crosman Corporation. **For an Authorized Service Station near you, visit our web site at www.crosman.com or call Customer Service at 1-800-724-7486 or 585-657-6161. (International customers should contact their distributor.)** DO NOT ATTEMPT TO DISASSEMBLE IT! Your air pistol requires special tools and fixtures to repair it. If you take it apart, you probably will not be able to reassemble it correctly. Crosman assumes no warranty responsibility under such circumstances.

LIMITED ONE YEAR WARRANTY

This product is warranted to the retail consumer for one year from date of retail purchase against defects in material and workmanship and is transferable.

WHAT IS COVERED

Replacement parts and labor. Transportation charges to consumer for repaired product.

WHAT IS NOT COVERED

Transportation charges to Crosman for defective product. Damages caused by abuse or failure to perform normal maintenance. (See **Step 7**) Any other expense. CONSEQUENTIAL DAMAGES, INCIDENTAL DAMAGES, OR INCIDENTAL EXPENSES, INCLUDING DAMAGE TO PROPERTY. SOME STATES DO NOT ALLOW THE EXCLUSION OR LIMITATION OF INCIDENTAL OR CONSEQUENTIAL DAMAGES, SO THE ABOVE LIMITATION OR EXCLUSION MAY NOT APPLY TO YOU.

WARRANTY CLAIMS

USA Customers: Attach your name, address, description of problem, phone number and copy of sales receipt to product. Package and return to Crosman Corporation, Rts. 5&20, E. Bloomfield, NY 14443.

Canadian Customers: Follow packaging procedures above and send to Crosman Parts & Service Depot, 611 Neal Drive, Peterborough, Ontario K9J 6X7 Canada.

International Customers: Please return product to your nearest distributor. If you do not know your distributor, please call 585-657-6161 and ask for our International Department for assistance.

IMPLIED WARRANTIES

ANY IMPLIED WARRANTIES, INCLUDING THE IMPLIED WARRANTIES OF MERCHANTABILITY AND FITNESS FOR A PARTICULAR PURPOSE, ARE LIMITED IN DURATION TO ONE YEAR FROM DATE OF RETAIL PURCHASE. SOME STATES DO NOT ALLOW LIMITATIONS ON HOW LONG AN IMPLIED WARRANTY LASTS, SO THE ABOVE LIMITATIONS MAY NOT APPLY TO YOU.

To the extent any provision of this warranty is prohibited by federal, state, or municipal law which cannot be preempted, it shall not be applicable. This warranty gives you specific legal rights, and you may also have other rights which vary from state to state and country to country.

Probleme

| Problem | POSSIBLE CAUSE | Safety is on | Empty CO ₂ cylinder | Dirty barrel | Defective CO ₂ cylinder | Extreme temperatures | Wrong ammunition | Pellets loaded upside down | Slide not properly closed and locked | Incorrect sight adjustment |
|--------------------------|----------------|--------------|--------------------------------|--------------|------------------------------------|----------------------|------------------|----------------------------|--------------------------------------|----------------------------|
| Inferior accuracy | | ● | ● | | ● | ● | ● | | ● | |
| Air pistol does not fire | ● | ● | | ● | | ● | ● | ● | | |
| Low velocity | | ● | ● | | ● | ● | ● | | | |

Distributed by
 Crosman Corporation
 Routes 5 & 20, P.O. Box
 E. Bloomfield, NY 14443
 www.crosman.com
 1-800-7AIRGUN

