

HOW TO USE YOUR SPOTTING SCOPE

Spread tripod legs (A) and set on a firm, level surface. Position spotting scope mounting shoe (J) on tripod head platform (B). Thread tripod lock bolt (C) into tripod fitting of mounting shoe (J).

Adjust tripod position. Adjust height by rotating shaft clamp ring (D) counterclockwise to loosen, and manually adjusting height. With shaft clamp ring loose, side-to-side can be made.

Lock tripod in place by tightening shaft clamp ring with clockwise rotation.

Major elevation adjustments can be made after loosening the elevation clamp knob (F). Once the elevation clamp knob is retightened, minor windage and elevation adjustments can be made using the micro-windage and micro-elevation adjustment screws (G and H).

Twisting the handle of the pan head lever (I) counterclockwise allows for repositioning the scope both vertically and horizontally. Rotate the handle clockwise to retighten.

Sight down along the body tube of the unit. Look through the eyepiece and focus the unit by rotating the focus ring (L) until the image is clear and sharp.

Adjust zoom ring (M) (if applicable) to highest magnification. If necessary, refocus.

NOTE: If there is more than one adjustment ring on the spotting scope, the zoom ring will always be the ring located closest to the eyepiece of the unit. The focus ring may be located just forward of the zoom ring, in the central portion of the unit, or at the objective end of the unit. Inspect your unit and identify all parts prior to use. (See Illustrations)

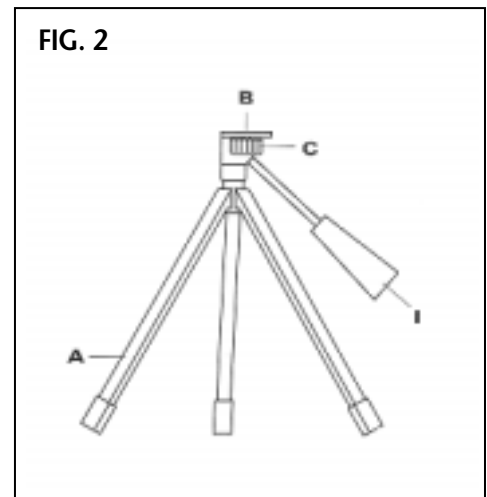
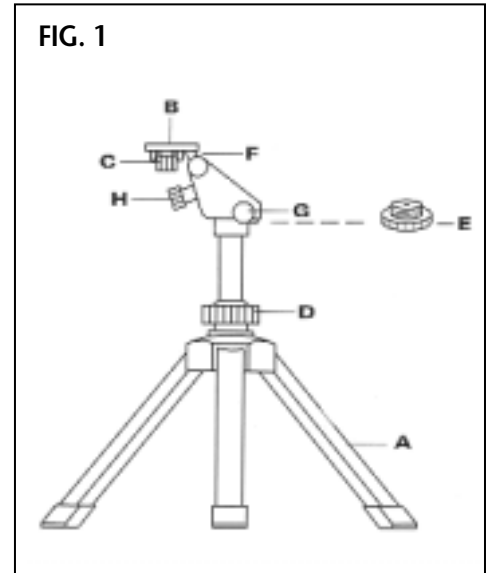
Adjust magnification to desired setting. Refocus as necessary.

Some spotting scopes, especially those with 15 degree angled eyepieces, may be equipped with an integrated cradle (N) to allow for rotational adjustment of the unit. To utilize this feature, loosen the cradle lock knob (O), reposition the unit, then retighten the cradle lock knob.

Some spotting scopes may be equipped for use in telephotography. To utilize this option, first locate the photo adaptor threads at the ocular end (Q) of the unit.

NOTE: On some models, it may be necessary to remove the rubber eyeguard (P) to locate these threads.

Thread the photo adaptor tube (included with some models) onto the photo adaptor threads.



(Continued on next page)

Thread the T-mount adaptor (must be purchased separately) that is appropriate for your particular camera onto the threads of the photo adaptor tube.

Attach entire assembly to camera in the same manner as any other lens.

Adjust power and focus of the spotting scope in the same manner previously described.

CAUTION: DIRECT VIEWING OF THE SUN CAN CAUSE PERMANENT EYE DAMAGE. DO NOT ATTEMPT TO VIEW THE SUN WITH EITHER THIS PRODUCT OR THE NAKED EYE.

LEGEND FOR SPOTTING SCOPES

- A Tripod Legs
- B Tripod Head Platform
- C Tripod Lock Bolt
- D Shaft Clamp Ring
- E Camera Tripod Adapter
- F Elevation Clamp Knob
- G Micro-Windage Knob
- H Micro-Elevation Knob
- I Pan Head Lever
- J Mounting Shoe
- L Focus Ring
- M Zoom Ring
- N Cradle
- O Cradle Lock Knob
- P Rubber Eyeguard
- Q Ocular Lens
- S Camera
- T T-Mount Adapter
- U Photo Adapter Tube

FIG. 1

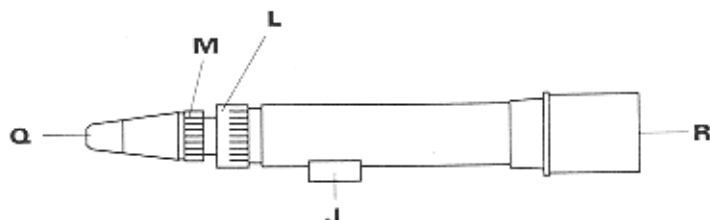


FIG. 2

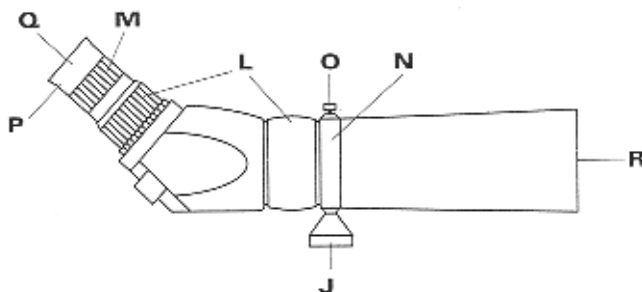


FIG. 3

