



PMRGS - GREEN AND RED MULTI RETICLE SIGHT INSTRUCTIONS

SPECIAL FEATURES OF THIS SIGHT ARE:

- Tubeless design with 33mm reflex lens aperture, providing a wide field of view, suitable for rapid-firing or shooting moving targets besides normal shooting.
- Green multi reticle with 5 intensities each pattern: 3 M.O.A. dot, crosshair, 30 M.O.A. dot crosshair and 60 M.O.A. circle with 3 M.O.A. dot.
- Red multi reticle with 5 intensities each pattern: 3 M.O.A. dot, crosshair, 30 M.O.A. dot crosshair and 60 M.O.A. circle with 3 M.O.A. dot.
- Parallax corrected and unlimited eye relief.
- Allen head screw type windage and elevation click adjustments.
- Built-in 5/8" mount (integrated rail) for standard bases, no need to re-zero when remounting the sight.
- Very light weight, waterproof and shockproof.
- Low power consumption for longer battery life.

BATTERY:

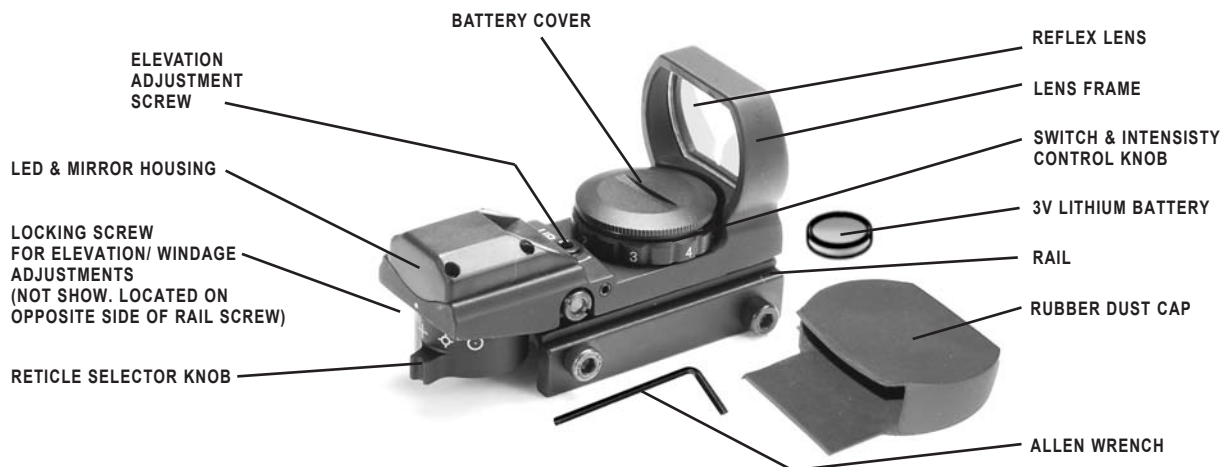
Your PMRGS Sight is powered by (1) one 3V lithium battery (CR2032 or equivalent). Should the reticles grow dim or not light, you will need to replace the battery. To install battery, unscrew battery cover and install new battery "+" side up.

MOUNTING:

Your Sight includes an integrated rail that fits standard, 5/8 dovetail bases. Because of the unlimited eye-relief, you should maintain at least three inches of clearance between the mirror lens and your eye while shooting. Set the rail onto the base so that the rail claws align with the crosscut grooves. Align the base until the cross-bolt seats into the groove. Securely tighten the locking screw with the Allen Wrench provided.

ZEROING:

Select the desired reticle style by turning the selector rear knob and turn the rheostat switch to set the desired intensity. With the sight mounted, rest the gun on a solid support and aim at a target 50 to 100 yards (or meters) away. Test shots for sight adjustment, should maintain the same conditions to achieve maximum accuracy. Use of a firm and steady rest and firing the same cartridge type is recommended. Each click adjustment moves the point of impact 1 MOA (approximately 1" @ 100 yards, 1/2" @ 50 yards.)



SPECIFICATIONS:			
Model #	Power Obj.	Aperture	F.O.V
	Click	Length	Weight
PMRGS1X	33mm	15.7m@	100m1moa82mm115gs