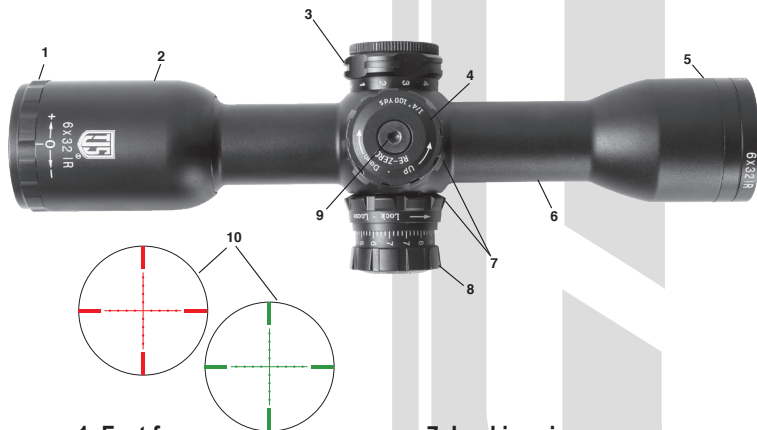




# JTS®

## 6x32 IR OPERATING INSTRUCTIONS



1. Fast focus
2. Eye bell
3. Illumination adjustment
4. Elevation adjustment
5. Objective bell
6. Tube

7. Locking rings
8. Windage adjustment
9. Zero resetting hex screw
10. Illuminated Reticle -  
Red and Green

**IMPORTANT** This manual contains important information about your scope. This manual should always accompany the scope in case ownership should change.

**⚠ WARNING** Do not look at the sun through a scope as it may cause permanent damage to your eye and/or vision.

## FOCUSING

Point the scope towards a well lit target and look through the eye piece while holding the scope steady about three to four inches from your eye.

### If the light doesn't fill the whole field of view:

- 1, The eye relief is the distance from the last surface of an eyepiece to the user's eye when full viewing angle or full field of view is obtained. If a viewer's eye is not at this distance, a reduced field of view will be obtained.
- 2, Adjust the distance between your eye and the eyepiece of the scope until you obtain the full field of view (or the largest field of view).
- 3, While focusing on the reticle, turn the eyepiece until the reticle is as sharp as possible.(see illustration below)



## ⚠ CAUTION

**CHECK EYE RELIEF BEFORE SHOOTING. DUE TO THE STRONG RECOIL OF SOME GUNS, BE SURE TO LEAVE ENOUGH DISTANCE BETWEEN YOUR EYE AND THE SCOPE. PROPER EYE PROTECTION SHOULD ALWAYS BE USED WHEN FIRING ANY GUN.**



## ZEROING THE SCOPE

Since zeroing involves actual shooting of the gun, it should be done at an approved shooting range with a proper back stop.

- ⊕ Unlock the windage (8) and elevation (4) caps.
- ⊕ Fire five shots at the target and note the points of impact on the target.
- ⊕ Measure the distance from the center of the five shot group to the center of the target and adjust the windage and elevation accordingly. Each click adjustment moves the point of impact by the amount shown on the face of the dials.

Elevation



Windage



### ONE CLICK =

**1/4" AT 100 YARDS  
1/8" AT 50 YARDS  
1/16" AT 25 YARDS**

**Example:** If shooting at a 25 yard target and the five shot group's center is 1 inch below center of the target, turn the elevation adjustment knob 16 clicks in the "up" direction.

## ZERO RESETTING

**NOTICE** When turning the Zero Resetting Hex Screw (9) loose to disengage windage and elevation. The Zero Locking Ring must be in the locked position. When tightening the Zero Resetting Hex Screw to engage windage and elevation, zero cannot be locked. Scope damage may occur if these steps are not followed.

- ⊕ When the scope is zeroed and the Zero Locking Rings (7) for both turrets are in the locked position, use an Allen key to turn the Zero Resetting Hex Screw counter-clockwise. This will disengage the turrets.
- ⊕ After the turrets are disengaged, rotating the turret will not produce any adjustment and will have no impact on your zero. Focusing on one turret at a time, reset the "0" markings found on the turrets by slightly pulling up on the turrets until they can freely rotate. Reposition the "0" markings back to the center position indicated by the white dot found on the side of each turret.
- ⊕ Once repositioned, unlock the Zero Locking Rings for both turrets and press the turrets down and back into their seated position.
- ⊕ Use an Allen key to turn back the Zero Resetting Hex Screw clockwise until snug.

## WHAT IS PARALLAX?

Parallax is the difference in the relative position between the scope reticle and your target as seen through your eyepiece. If present, parallax can slightly shift the aim, with the effect more pronounced at farther ranges. If parallax hasn't been corrected for, the farther you move your eye away from the center point of the eyepiece, the greater the issue. If parallax is present, the simplest way to correct for it is to make sure you are sighting straight through the center of the scope.

## FIXED PARALLAX SCOPES

This model has a fixed parallax. Fixed focus scopes are set to be parallax free at one distance only and are not adjustable. Fixed parallax JTS scopes are adjusted to be parallax free at 100 yards by default.

**NOTICE** Differing air temperature and atmospheric conditions or physical differences between shooters may necessitate readjustment.

## ILLUMINATION ADJUSTMENT

Your scope has an illuminated reticle feature. Simply turn the Illumination adjustment knob (3), from 0 (the off position) to the desired brightness and color that is appropriate for the condition.



## REPLACING THE BATTERY

The battery cover is located on top of the illumination adjustment knob (3). Your scope has an illumination adjustment which is powered by one 3V lithium battery (CR2032) or equivalent. If your reticle grows dim or does not illuminate, you will need to replace the battery. To install or remove the battery, unscrew the battery cover counter-clockwise and insert a new battery (+) side up. Then screw the cover back on tight.



## NOTICE

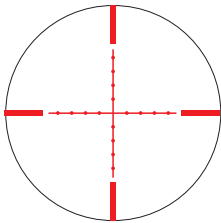
Always remember to turn off the power when the optic is not in use.

**NOTE:** Batteries must not be put in the household waste. Dispose of them properly, hand them in at your local shop for disposal or take them to a used battery collection location. Please recycle used batteries.

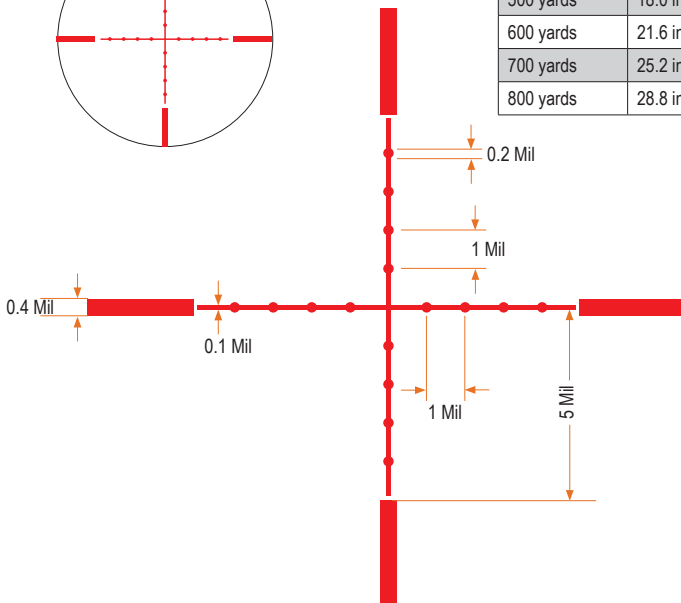


## MIL DOT RETICLE

This JTS scope has a Mil Dot reticle. This style of reticle allows the user to do range estimating and windage compensation to estimate distances. The Mil Dot system is relatively easy to use, with practice. Each dot is spaced in one mil (milliradian or mrad for short), increments on the crosshair. Using milliradian measurements you can estimate range and bullet trajectory drop. While looking through the scope, the shooter can bracket an object between two dots and reference the table below for an estimated distance to the target.



1 Mil Width - Distances	
100 yards	3.6 inches
200 yards	7.2 inches
300 yards	10.8 inches
400 yards	14.4 inches
500 yards	18.0 inches
600 yards	21.6 inches
700 yards	25.2 inches
800 yards	28.8 inches





<b>SPECIFICATIONS</b>	<b>6x32</b>
<b>Tube Diameter</b>	<b>25.4 mm / 1 in.</b>
<b>Field of View</b>	<b>21.5 ft @ 100 yds</b>
<b>Field of View</b>	<b>7.2 m @ 100 m</b>
<b>Eye Relief</b>	<b>3.4 in.</b>
<b>Eye Relief</b>	<b>85 mm</b>
<b>Reticle Type</b>	<b>Wire Reticle</b>
<b>Reticle Shape</b>	<b>Mil-Dot</b>
<b>Illumination</b>	<b>Red / Green</b>
<b>Reticle Brightness</b>	<b>1-5 and OFF</b>
<b>Objective Lens</b>	<b>32 mm / 1.26 in.</b>
<b>Exit Pupil</b>	<b>5.20 mm</b>
<b>Parallax</b>	<b>Fixed - 100 yds</b>
<b>Click Value</b>	<b>1/4"</b>
<b>Adjustment Knob</b>	<b>High, finger adjustment turrets</b>
<b>Finish</b>	<b>Black Anodized Aluminum</b>
<b>Coating</b>	<b>Fully Multi-Coated</b>
<b>Waterproof / Fogproof</b>	<b>Yes</b>
<b>Length</b>	<b>229 mm / 9 in.</b>
<b>Weight</b>	<b>350 g / 12.35 oz</b>





**JTS<sup>®</sup>**

We reserve the right to make design changes, color changes and technical improvements.  
No responsibility is accepted for printing errors or incorrect information.

**Distributed by JTS Group, Inc.  
7724 Cherokee Road  
Katy, Texas 77494  
[www.jtsgroup.us](http://www.jtsgroup.us)**