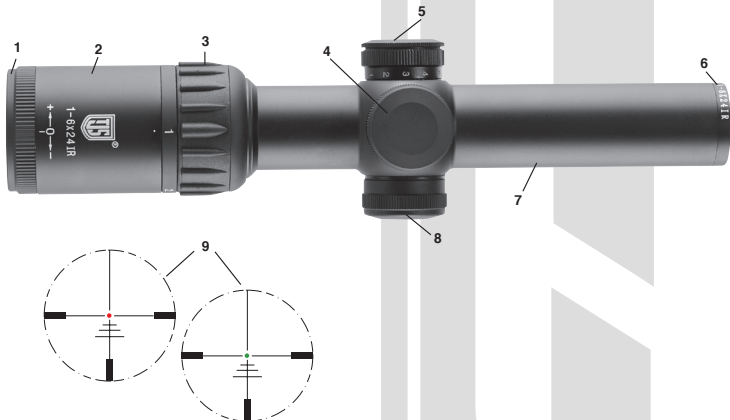




JTS®

1-6x24 E OPERATING INSTRUCTIONS



- | | |
|----------------------------|-------------------------------------------|
| 1. Eye piece | 6. Objective bell |
| 2. Eye bell | 7. Tube |
| 3. Power magnification | 8. Windage adjustment |
| 4. Elevation adjustment | 9. Illuminated Reticle -
Red and Green |
| 5. Illumination adjustment | |

IMPORTANT This manual contains important information about your scope. This manual should always accompany the scope in case ownership should change.

⚠ WARNING Do not look at the sun through a scope as it may cause permanent damage to your eye and/or vision.

FOCUSING

Point the scope towards a well lit target and look through the eye piece while holding the scope steady about three to four inches from your eye.

If the light doesn't fill the whole field of view:

- 1, The eye relief is the distance from the last surface of an eyepiece to the user's eye when full viewing angle or full field of view is obtained. If a viewer's eye is not at this distance, a reduced field of view will be obtained.
- 2, Adjust the distance between your eye and the eyepiece of the scope until you obtain the full field of view (or the largest field of view).
- 3, While focusing on the reticle, turn the eyepiece until the reticle is as sharp as possible.(see illustration below)

NOTICE If the scope features adjustable power magnification, adjust the magnification to the highest setting when adjusting for eye relief.



⚠ CAUTION

CHECK EYE RELIEF BEFORE SHOOTING. DUE TO THE STRONG RECOIL OF SOME GUNS, BE SURE TO LEAVE ENOUGH DISTANCE BETWEEN YOUR EYE AND THE SCOPE. PROPER EYE PROTECTION SHOULD ALWAYS BE USED WHEN FIRING ANY GUN.



ZEROING THE SCOPE

Since zeroing involves actual shooting of the gun, it should be done at an approved shooting range with a proper back stop.

- ⊕ Remove the windage (8) and elevation (4) caps.
- ⊕ Turn the power magnification to the highest setting if you are using a variable power model.
- ⊕ Fire five shots at the target and note the points of impact on the target.
- ⊕ Measure the distance from the center of the five shot group to the center of the target and adjust the windage and elevation accordingly. Each click adjustment moves the point of impact by the amount shown on the face of the dials.

Elevation



Windage



ONE CLICK =

1/4" AT 100 YARDS
1/8" AT 50 YARDS
1/16" AT 25 YARDS

Example: If shooting at a 25 yard target and the five shot group's center is 1 inch below center of the target, turn the elevation adjustment knob 16 clicks in the "up" direction.

WHAT IS PARALLAX?

Parallax is the difference in the relative position between the scope reticle and your target as seen through your eyepiece. If present, parallax can slightly shift the aim, with the effect more pronounced at farther ranges. If parallax hasn't been corrected for, the farther you move your eye away from the center point of the eyepiece, the greater the issue. If parallax is present, the simplest way to correct for it is to make sure you are sighting straight through the center of the scope.

FIXED PARALLAX SCOPES

This model has a fixed parallax. Fixed focus scopes are set to be parallax free at one distance only and are not adjustable. Fixed parallax JTS scopes are adjusted to be parallax free at 100 yards by default.

NOTICE

Differing air temperature and atmospheric conditions or physical differences between shooters may necessitate readjustment.

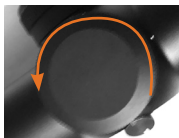
ILLUMINATION ADJUSTMENT

Your scope has an illuminated reticle feature. Simply turn the Illumination adjustment knob (5), from 0 (the off position) to the desired brightness and color that is appropriate for the condition.



REPLACING THE BATTERY

The battery cover is located on top of the illumination adjustment knob (5). Your scope has an illumination adjustment which is powered by one 3V lithium battery (CR2032) or equivalent. If your reticle grows dim or does not illuminate, you will need to replace the battery. To install or remove the battery, unscrew the battery cover counter-clockwise and insert a new battery (+) side up. Then screw the cover back on tight.



NOTICE

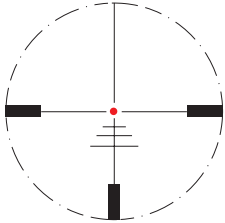
Always remember to turn off the power when the optic is not in use.

NOTE: Batteries must not be put in the household waste. Dispose of them properly, hand them in at your local shop for disposal or take them to a used battery collection location. Please recycle used batteries.

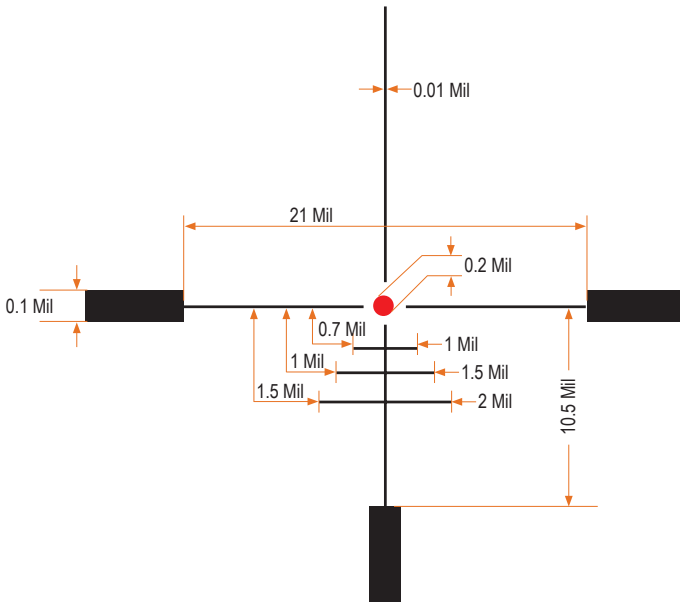


MIL DOT RETICLE

This JTS scope has a Mil Dot reticle. This style of reticle allows the user to do range estimating and windage compensation to estimate distances. The Mil Dot system is relatively easy to use, with practice. Each dot is spaced in one mil (milliradian or mrad for short), increments on the crosshair. Using milliradian measurements you can estimate range and bullet trajectory drop. While looking through the scope, the shooter can bracket an object between two dots and reference the table below for an estimated distance to the target.



1 Mil Width - Distances	
100 yards	3.6 inches
200 yards	7.2 inches
300 yards	10.8 inches
400 yards	14.4 inches
500 yards	18.0 inches
600 yards	21.6 inches
700 yards	25.2 inches
800 yards	28.8 inches



SCOPE MAINTENANCE

When not in use, the scope should be kept in a clean, dry and ventilated place away from any corrosive material. Never try to take the scope apart or clean it internally. Lens surfaces may be cleaned with bursts of air, a lens brush, or a cloth specified for scope lenses. Keep dust covers on the scope when it is not in use.

SERVICE

Do not return defective or damaged product to the dealer. If your scope needs repair, call JTS (281) 829-9839 and ask for the Service Department or visit www.jtsgroup.us. DO NOT ATTEMPT TO DISASSEMBLE IT! Your scope requires special tools and fixtures to repair it. Any disassembly or modification not performed by JTS will void the warranty.

DO NOT RETURN THIS PRODUCT TO THE STORE: If you have any questions or concerns about JTS Group, Inc. products, please contact us at (281) 829-9839 or visit www.jtsgroup.us and one of our service techs will be glad to assist you.

LIMITED LIFETIME WARRANTY

This product is warranted to the retail consumer for the life of the scope against defects in material and workmanship and is not transferable.

WHAT IS COVERED: Replacement parts and labor.

WHAT IS NOT COVERED: Shipping charges to JTS Group for defective product and damages caused by abuse or failure to perform normal maintenance as well as any other expense. Consequential damages, or incidental expenses, including damage to property. Some states do not allow the exclusion or limitation of incidental or consequential damages, so the above limitation or exclusion may not apply to you.

WARRANTY CLAIMS:

If your JTS product is found to have defects in materials or workmanship, we will repair or replace it free of charge for the lifetime of the product. This warranty does not apply to owner neglect or abuse of the product. Simply ship your scope to the address below with an enclosed note indicating the problem you are having as well as your contact information.

JTS Group, Inc.
16802 Barker Springs, Suite 550
Houston, TX 77084
Phone: (281) 829-9839

IMPLIED WARRANTIES: Any implied warranties, including the implied warranties of merchantability and fitness for a particular purpose, are limited in duration to the life of the optic. SOME STATES DO NOT ALLOW LIMITATIONS ON HOW LONG IMPLIED WARRANTY LASTS, SO THE ABOVE LIMITATIONS MAY NOT APPLY TO YOU. TO THE EXTENT ANY PROVISION OF THIS WARRANTY IS PROHIBITED BY FEDERAL, STATE, OR MUNICIPAL LAW; WHICH CANNOT BE PREEMPTED, IT SHALL NOT BE APPLICABLE. THIS WARRANTY GIVES YOU SPECIFIC LEGAL RIGHTS, AND YOU MAY ALSO HAVE OTHER RIGHTS, WHICH VARY FROM STATE TO STATE AND COUNTRY TO COUNTRY.

SPECIFICATIONS	1-6x24 E
Tube Diameter	30 mm / 1.18 in.
Field of View - Low	133.6 ft @ 100 yds
Field of View - High	21.5 ft @ 100 yds
Field of View - Low	44.5 m @ 100 m
Field of View - High	7.17 m @ 100 m
Eye Relief - Low	4 in.
Eye Relief - High	3.86 in.
Eye Relief - Low	102 mm
Eye Relief - High	98 mm
Reticle Type	Etched Glass Reticle
Reticle Shape	German #4 Glass Reticle
Objective Lens	24 mm / 0.94 in.
Exit Pupil	24 mm - 4 mm
Click Value	1/2"
Adjustment Knob	Low profile, adjustment turrets
Coating	Fully Multi-Coated
Waterproof / Fogproof	Yes
Length	255 mm / 10.04 in.
Weight	496 g / 17.5 oz



JTS[®]

We reserve the right to make design changes, color changes and technical improvements.
No responsibility is accepted for printing errors or incorrect information.

**Distributed by JTS Group, Inc.
16802 Barker Springs Road, Suite 550
Houston, Texas 77084
www.jtsgroup.us**