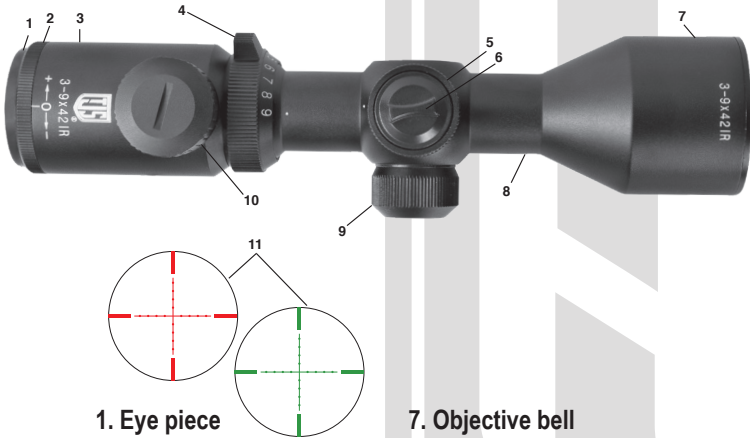




JTS®

3-9x42 IR OPERATING INSTRUCTIONS



- | | |
|-------------------------|--|
| 1. Eye piece | 7. Objective bell |
| 2. Fast Focus | 8. Tube |
| 3. Eye bell | 9. Windage adjustment |
| 4. Power magnification | 10. Illumination adjustment |
| 5. Parallax adjustment | 11. Illuminated Reticle -
Red and Green |
| 6. Elevation adjustment | |

IMPORTANT This manual contains important information about your scope. This manual should always accompany the scope in case ownership should change.

⚠ WARNING Do not look at the sun through a scope as it may cause permanent damage to your eye and/or vision.

FOCUSING

Point the scope towards a well lit target and look through the eye piece while holding the scope steady about three to four inches from your eye.

If the light doesn't fill the whole field of view:

- 1, The eye relief is the distance from the last surface of an eyepiece to the user's eye when full viewing angle or full field of view is obtained. If a viewer's eye is not at this distance, a reduced field of view will be obtained.
- 2, Adjust the distance between your eye and the eyepiece of the scope until you obtain the full field of view (or the largest field of view).
- 3, While focusing on the reticle, turn the eyepiece until the reticle is as sharp as possible.(see illustration below)

NOTICE This scope features adjustable power magnification (4), so you will need to adjust the magnification to the highest setting when adjusting for eye relief.



⚠ CAUTION

CHECK EYE RELIEF BEFORE SHOOTING. DUE TO THE STRONG RECOIL OF SOME GUNS, BE SURE TO LEAVE ENOUGH DISTANCE BETWEEN YOUR EYE AND THE SCOPE. PROPER EYE PROTECTION SHOULD ALWAYS BE USED WHEN FIRING ANY GUN.



ZEROING THE SCOPE

Since zeroing involves actual shooting of the gun, it should be done at an approved shooting range with a proper back stop.

- ⊕ Remove the windage (9) and elevation (6) caps.
- ⊕ Turn the power magnification to the highest setting if you are using a variable power model.
- ⊕ Fire five shots at the target and note the points of impact on the target.
- ⊕ Measure the distance from the center of the five shot group to the center of the target and adjust the windage and elevation accordingly. Each click adjustment moves the point of impact by the amount shown on the face of the dials.

Elevation



Windage



ONE CLICK =

1/4" AT 100 YARDS

1/8" AT 50 YARDS

1/16" AT 25 YARDS

Example: If shooting at a 25 yard target and the five shot group's center is 1 inch below center of the target, turn the elevation adjustment knob 16 clicks in the "up" direction.

WHAT IS PARALLAX?

Parallax is the difference in the relative position between the scope reticle and your target as seen through your eyepiece. If present, parallax can slightly shift the aim, with the effect more pronounced at farther ranges. If parallax hasn't been corrected for, the farther you move your eye away from the center point of the eyepiece, the greater the issue. If parallax is present, the simplest way to correct for it is to make sure you are sighting straight through the center of the scope.

REMOVING PARALLAX FOR ADJUSTABLE PARALLAX SCOPES

This model has an adjustable parallax. To precisely hit targets at different ranges, your scope requires a way to adjust parallax. The parallax adjustment knob (5) on JTS scopes can be found on the of the side of the turret housing. If the target's yardage is known, adjust the parallax knob to the known yardage. If the target's range is unknown, remove parallax by performing the following steps:

1. Make sure the scope is properly focused (see page 2) before attempting parallax adjustment.
2. While holding your firearm steady, look through the scope at a target and concentrate on the reticle's center aiming point.
3. While holding the reticle on target, bob your head slightly up and down. Does the center of the reticle move more or less than the target? If so, continue bobbing your head slightly up and down while turning the parallax adjustment turret until the reticle and target move together at the same rate.



NOTICE

Differing air temperature and atmospheric conditions or physical differences between shooters may necessitate readjustment.

ILLUMINATION ADJUSTMENT

Your scope has an illuminated reticle feature. Simply turn the Illumination adjustment knob (10), from 0 (the off position) to the desired brightness and color that is appropriate for the condition.



REPLACING THE BATTERY

The battery cover is located on top of the illumination adjustment knob (10). Your scope has an illumination adjustment which is powered by one 3V lithium battery (CR2032) or equivalent. If your reticle grows dim or does not illuminate, you will need to replace the battery. To install or remove the battery, unscrew the battery cover counter-clockwise and insert a new battery (+) side up. Then screw the cover back on tight.



NOTICE

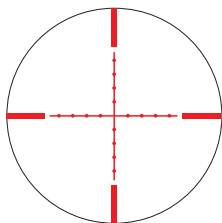
Always remember to turn off the power when the optic is not in use.

NOTE: Batteries must not be put in the household waste. Dispose of them properly, hand them in at your local shop for disposal or take them to a used battery collection location. Please recycle used batteries.

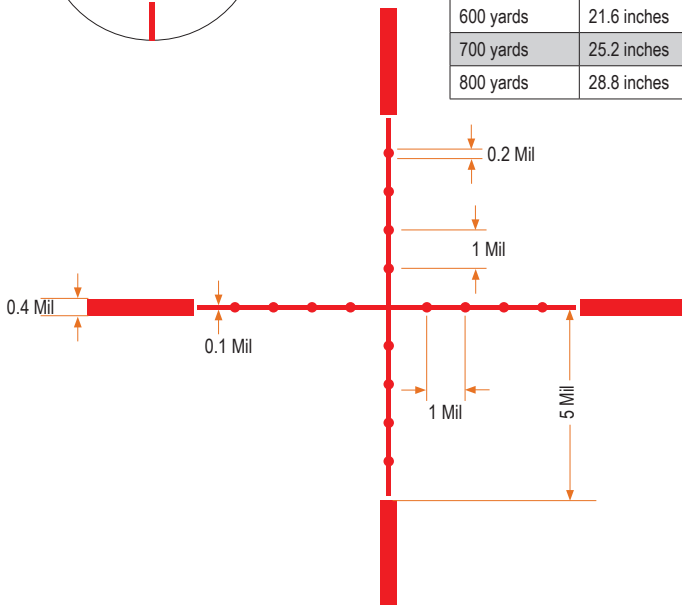


MIL DOT RETICLE

This JTS scope has a Mil Dot reticle. This style of reticle allows the user to do range estimating and windage compensation to estimate distances. The Mil Dot system is relatively easy to use, with practice. Each dot is spaced in one mil (milliradian or mrad for short), increments on the crosshair. Using milliradian measurements you can estimate range and bullet trajectory drop. While looking through the scope, the shooter can bracket an object between two dots and reference the table below for an estimated distance to the target.

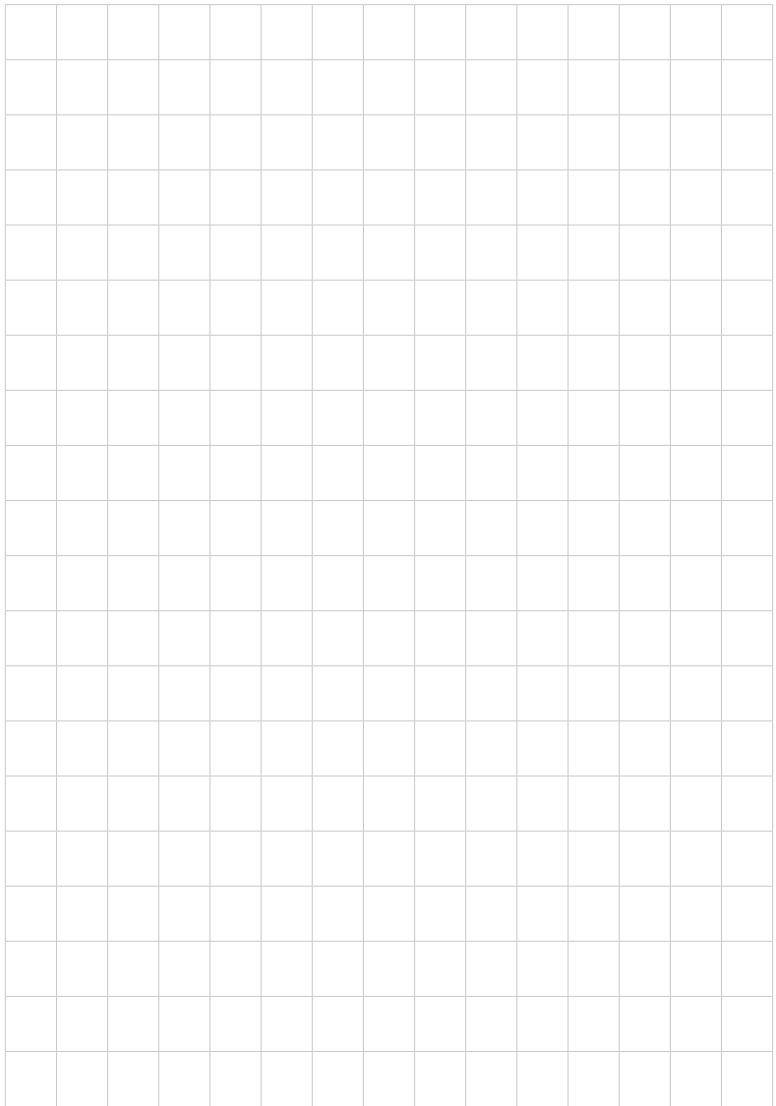


1 Mil Width - Distances	
100 yards	3.6 inches
200 yards	7.2 inches
300 yards	10.8 inches
400 yards	14.4 inches
500 yards	18.0 inches
600 yards	21.6 inches
700 yards	25.2 inches
800 yards	28.8 inches



SPECIFICATIONS	3-9x42
Tube Diameter	25.4 mm / 1 in.
Field of View - Low	38.6 ft @ 100 yds
Field of View - High	13.2 ft @ 100 yds
Field of View - Low	12.9 m @ 100 m
Field of View - High	4.4 m @ 100 m
Eye Relief	4.33-5.43 in.
Eye Relief	110-138 mm
Reticle Type	Wire Reticle
Reticle Shape	Mil-Dot
Illumination	Red / Green
Reticle Brightness	1-5 and OFF
Objective Lens	42 mm / 1.65 in.
Exit Pupil	14-4.6 mm
Parallax	Fixed - 100 yds
Click Value	1/4"
Adjustment Knob	High, finger adjustment turrets
Zoom	3-9
Finish	Black Anodized Aluminum
Coating	Fully Multi-Coated
Waterproof / Fogproof	No
Length	230 mm / 9.06 in.
Weight	448 g / 15.80 oz

NOTES





JTS[®]

We reserve the right to make design changes, color changes and technical improvements.
No responsibility is accepted for printing errors or incorrect information.

**Distributed by JTS Group, Inc.
7724 Cherokee Road
Katy, Texas 77494
www.jtsgroup.us**