

## Adjustable Scope Mount

**⚠ WARNING: BE SURE YOUR GUN IS NOT LOADED AND ON SAFE BEFORE INSTALLING THE SCOPE MOUNT. REMEMBER TO PRACTICE SAFE HANDLING PROCEDURES AT ALL TIMES.**



This is a product of BKL Technologies  
For customer assistance please call toll free 1-877-255-2001  
or visit [WWW.BKLTECH.COM](http://WWW.BKLTECH.COM)

FIG. 1

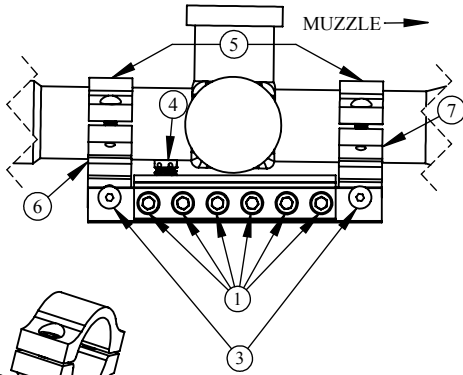
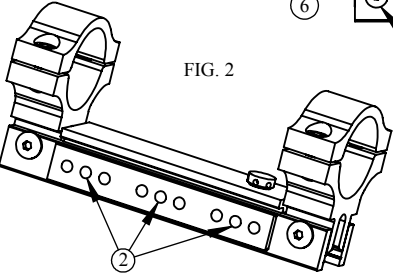


FIG. 2



### INSTALLATION INSTRUCTIONS:

1. Slide mount over dovetail of the gun or adapter plate. Secure the mount by tightening the Clamp Screws (1).
2. If the mount will not fit over the dovetail, widen the mount by removing all Clamp Screws (1) and place 3 of them into the spreader holes (2) and tighten evenly until mount slides over the dovetail. When mount is positioned on dovetail, return all screws to the clamping Holes and tighten.
3. Remove the Ring Caps(5) and position the scope in ring Saddles(6,7) and replace the Ring Caps.
4. Loosen the Hinge Pin Base Screws (3) enough that the rings can pivot with light friction.
5. With the scope secured in the rings, you can now adjust elevation. Use the Elevator (4) to adjust pivot angle. Turn Elevator counterclockwise to raise impact point.
6. Tighten Hinge Pins(3) to lock into position

## Adjustable Scope Mount

**⚠ WARNING: BE SURE YOUR GUN IS NOT LOADED AND ON SAFE BEFORE INSTALLING THE SCOPE MOUNT. REMEMBER TO PRACTICE SAFE HANDLING PROCEDURES AT ALL TIMES.**



This is a product of BKL Technologies  
For customer assistance please call toll free 1-877-255-2001  
or visit [WWW.BKLTECH.COM](http://WWW.BKLTECH.COM)

FIG. 1

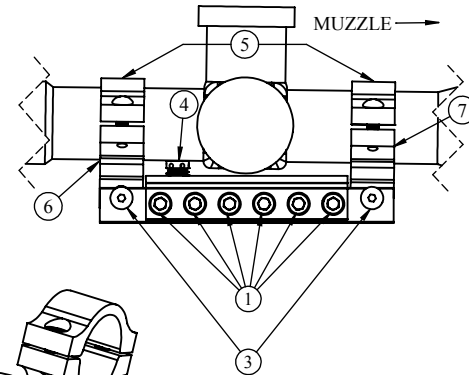
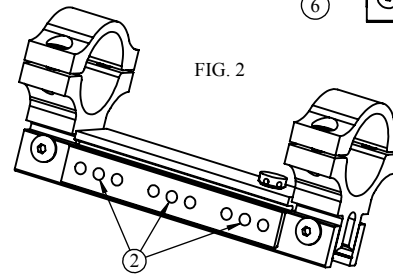


FIG. 2



### INSTALLATION INSTRUCTIONS:

1. Slide mount over dovetail of the gun or adapter plate. Secure the mount by tightening the Clamp Screws (1).
2. If the mount will not fit over the dovetail, widen the mount by removing all Clamp Screws (1) and place 3 of them into the spreader holes (2) and tighten evenly until mount slides over the dovetail. When mount is positioned on dovetail, return all screws to the clamping Holes and tighten.
3. Remove the Ring Caps(5) and position the scope in ring Saddles(6,7) and replace the Ring Caps.
4. Loosen the Hinge Pin Base Screws (3) enough that the rings can pivot with light friction.
5. With the scope secured in the rings, you can now adjust elevation. Use the Elevator (4) to adjust pivot angle. Turn Elevator counterclockwise to raise impact point.
6. Tighten Hinge Pins(3) to lock into position